

Features

- Ultra High Efficiency (Up to 91%)
- Three Channels Output
- Active Power Factor Correction (0.99 Typical)
- Constant Current Output
- Input Surge Protection: DM 4kV, CM 6kV
- All-Around Protection: SCP, OTP, OVP
- IP67 and UL Dry / Damp / Wet Location
- Class 2 & SELV Output
- TYPE HL, for use in a Class I, Division 2 hazardous (Classified) location
- 5 Years Warranty



Description

The EUC-108TxxxDT(ST) series is a 108W, three-channel, constant-current LED driver that operates from 90-305 Vac input with excellent power factor. It is created for many lighting applications including flood, tunnel and street, etc. The high efficiency of these drivers and compact metal case enables them to run cooler, significantly improving reliability and extending product life. To ensure trouble-free operation, protection is provided against input surge, output over voltage, short circuit, and over temperature.

Models

Output Current (1)	Input Voltage Range(2)	Output Voltage Range	Max. Output Power	Typical Efficiency (3)	Power Factor		Model Number
					120Vac	220Vac	
700 mA	90 ~ 305 Vac	29~54 Vdc	113 W	91.0%	0.99	0.94	EUC-108T070DT(ST) ⁽⁴⁾
1050 mA	90 ~ 305 Vac	19~36 Vdc	113 W	89.0%	0.99	0.94	EUC-108T105DT(ST) ⁽⁵⁾
1400 mA	90 ~ 305 Vac	14~25 Vdc	105 W	88.0%	0.99	0.94	EUC-108T140DT(ST) ⁽⁶⁾

Notes: (1) The output current is adjustable at factory from 50% to 100%.

(2) Certified input Voltage range 100-240Vac for CE only.

(3) Measured at 100% load and 220 Vac input .

(4) Class 2 output (USR) for Dry and Damp Location, Non-Class 2 output (CNR).

(5) Class 2 output (USR & CNR) for Dry and Damp Location, Class 2 output (CNR only) for Wet Location.

(6) Class 2 output (USR & CNR) for Dry and Damp Location & Wet Location.

Input Specifications

Parameter	Min.	Typ.	Max.	Notes
Input Voltage	90 V	-	305 V	
Input Frequency	47 Hz	-	63 Hz	
Leakage Current	-	-	1 mA	At 277Vac 60Hz input , Grounding effectively
Input AC Current	-	-	1.51 A	Measured at 100% load and 100 Vac input.
	-	-	0.7 A	Measured at 100% load and 220 Vac input.

Input Specifications (Continued)

Parameter	Min.	Typ.	Max.	Notes
Inrush current	-	-	65 A	At 220Vac input, 25°C cold start, duration=0.8 ms, 10%Ipk-10%Ipk.
Inrush Current(I ² t)	-	-	2.4 A ² s	
Power Factor	0.90	-	-	At 100-277Vac, 50-60Hz, 75% -100% Load
THD	-	-	20%	

Output Specifications

Parameter	Min.	Typ.	Max.	Notes
Output channel	-	3	-	
Output Current Tolerance	-5%	-	5%	
No-load Output Voltage Io=700 mA Io=1050 mA Io=1400 mA	-	-	59.5 V 41 V 29 V	Hiccup mode.
Output Current Ripple (pk-pk)	-	-	15% Io	Peak to peak value, rated by output current. At full load condition.
Output Overshoot / Undershoot	-	-	10%	When power on or off.
Line Regulation	-	-	±1%	
Load Regulation	-	-	±3%	
Turn-on Delay Time	-	2.0 s	3.0 s	Measured at 120Vac input, 75% -100% Load
	-	2.0 s	3.0 s	Measured at 220Vac input, 75% -100% Load
Temperature Coefficient	-	0.03%/°C	-	Case temperature = 0°C ~Tc max

Note: All specifications are typical at 25 °C unless otherwise stated.

Protection Functions

Parameter	Min.	Typ.	Max.	Notes
Over Temperature Protection	-	120 °C	-	When OTP occurs, the output current decreases down to the half of the normal output current. The output shall be auto recovery when the temperature becomes normal.
Short Circuit Protection	Single channel short does not affect the normal work of other channels. The driver recovers after short is removed and AC input recycled. Dual or triple channel short latches the driver and it recovers after the short is removed.			

General Specifications

Parameter	Min.	Typ.	Max.	Notes
Efficiency Io=700 mA Io=1050 mA Io=1400 mA	86.0% 85.0% 84.0%	88.0% 87.0% 86.0%	- - -	Measured at 100% load, 120Vac input, 25°C ambient temperature, after the unit is thermally stabilized. It will be about 2% lower, if measured immediately after startup.
Efficiency Io=700 mA Io=1050 mA Io=1400 mA	89.0% 87.0% 86.0%	91.0% 89.0% 88.0%	- - -	Measured at 100% load, 220Vac input, 25°C ambient temperature, after the unit is thermally stabilized. It will be about 2% lower, if measured immediately after startup.
Efficiency Io=700 mA Io=1050 mA Io=1400 mA	89.0% 87.0% 86.0%	91.0% 89.0% 88.0%	- - -	Measured at 100% load, 277Vac input, 25°C ambient temperature, after the unit is thermally stabilized. It will be about 2% lower, if measured immediately after startup.
MTBF	-	277,000 Hours	-	Measured at 220Vac input, 80%Load and 25°C ambient temperature (MIL-HDBK-217F)
Lifetime	-	93,500 Hours	-	Measured at 220Vac input, 80%Load; Case temperature=60°C @ Tc point. See lifetime vs. Tc curve for the details
Operating Case Temperature for Safety Tc_s	-40°C	-	+90 °C	
Operating Case Temperature for Warranty Tc_w	-40°C	-	+70 °C	Case temperature for 5 years warranty
Storage Temperature	-40°C	-	+85 °C	Humidity: 5% RH to 100% RH
Dimensions Inches (L × W × H) Millimeters (L × W × H)	7.40 × 3.46 × 1.5 188 × 88 × 38			With mounting ear 8.35 × 3.46 × 1.5 212 × 88 × 38
Net Weight	-	1240 g	-	

Note: All specifications are typical at 25 °C unless otherwise stated.

Safety & EMC Compliance

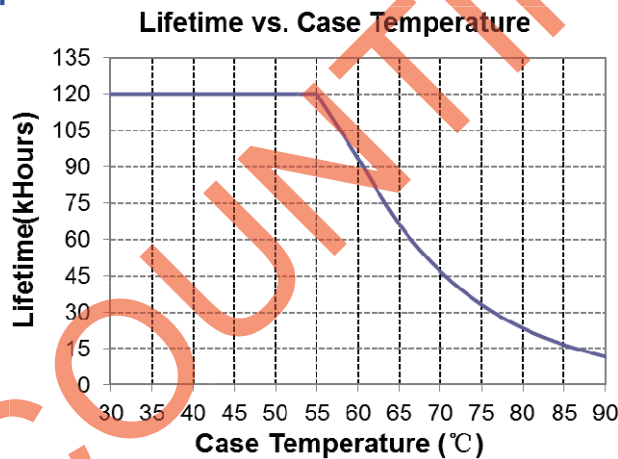
Safety Category	Standard
UL/CUL	UL 8750, UL 1310, CAN/CSA-C22.2 No. 250.13-12, CAN/CSA-C22.2 No. 223-M91
CE	EN 61347-1, EN 61347-2-13
KS	KS C 7655
EMI Standards	Notes
EN 55015 ⁽¹⁾	Conducted emission Test & Radiated emission Test
EN 61000-3-2	Harmonic current emissions
EN 61000-3-3	Voltage fluctuations & flicker
FCC Part 15 ⁽¹⁾	ANSI C63.4 Class B This device complies with Part 15 of the FCC Rules. Operation is subject to the following two conditions: [1] this device may not cause harmful interference, and [2] this device must accept any interference received, including interference that may cause undesired Operation.

Safety & EMC Compliance (Continued)

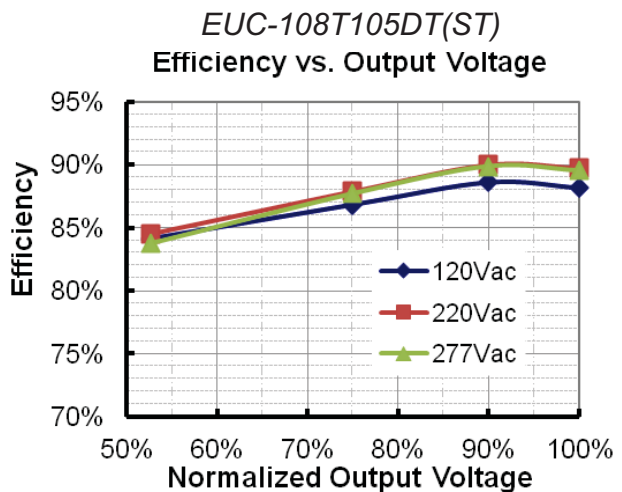
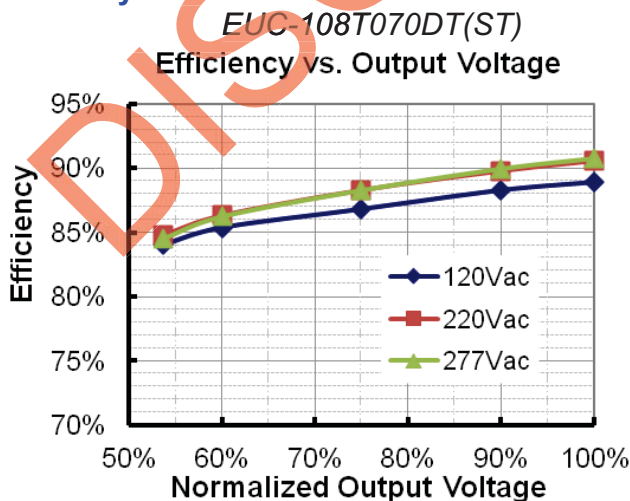
EMS Standards	Notes
EN 61000-4-2	Electrostatic Discharge (ESD): 15 kV air discharge, 8 kV contact discharge
EN 61000-4-3	Radio-Frequency Electromagnetic Field Susceptibility Test-RS
EN 61000-4-4	Electrical Fast Transient / Burst-EFT
EN 61000-4-5	Surge Immunity Test: AC Power Line: Differential Mode 4 kV, Common Mode 6 kV
EN 61000-4-6	Conducted Radio Frequency Disturbances Test-CS
EN 61000-4-8	Power Frequency Magnetic Field Test
EN 61000-4-11	Voltage Dips
EN 61547	Electromagnetic Immunity Requirements Applies To Lighting Equipment

Note: (1) This LED driver meets the EMI specifications above, but EMI performance of a luminaire that contains it depends also on the other devices connected to the driver and on the fixture itself.

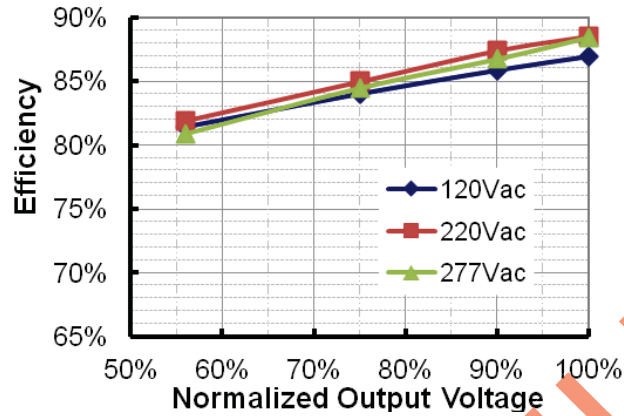
Lifetime vs. Case Temperature Curve



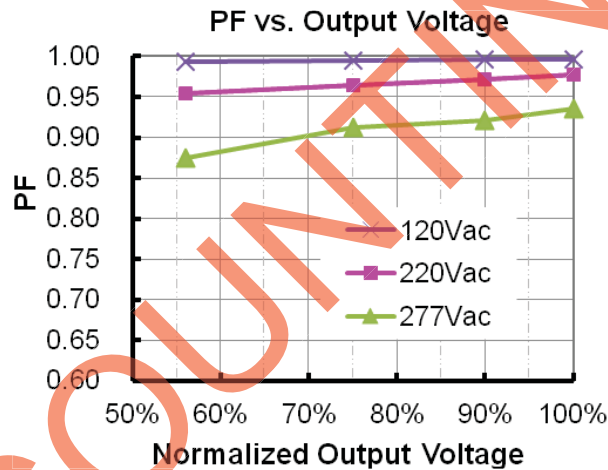
Efficiency vs. Load



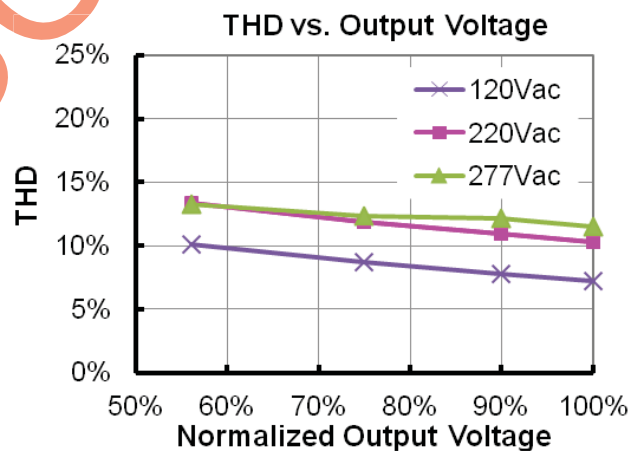
EUC-108T140DT(ST)
Efficiency vs. Output Voltage



Power Factor Characteristics



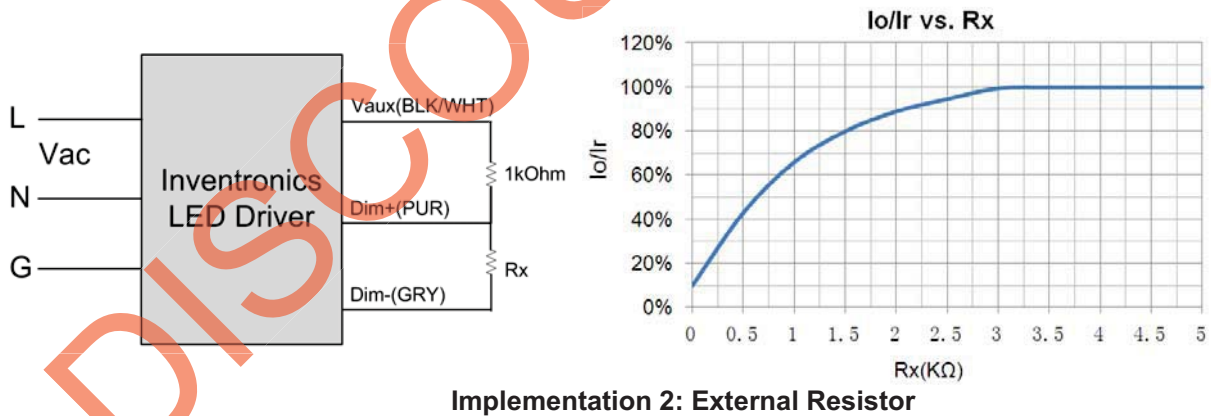
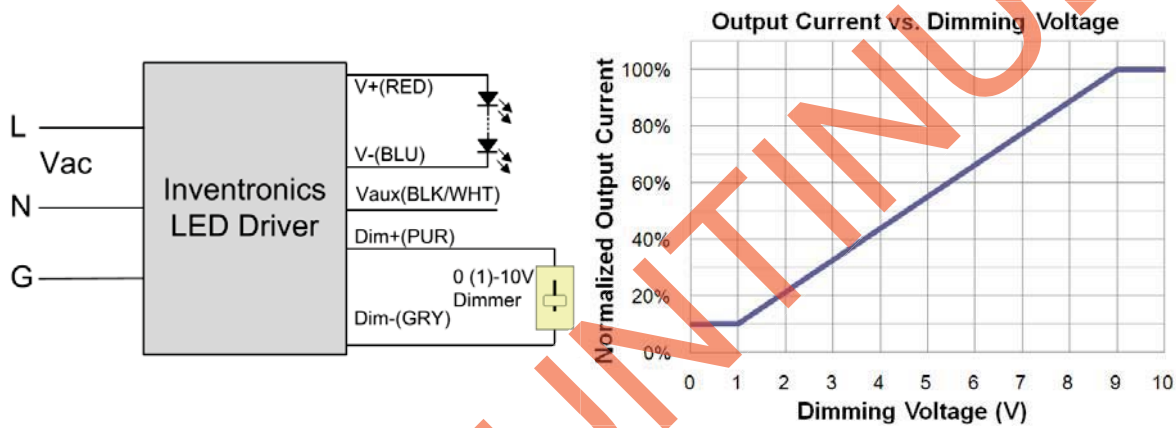
Total Harmonic Distortion

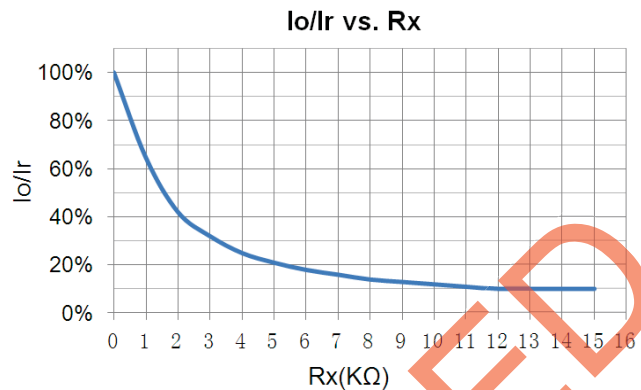
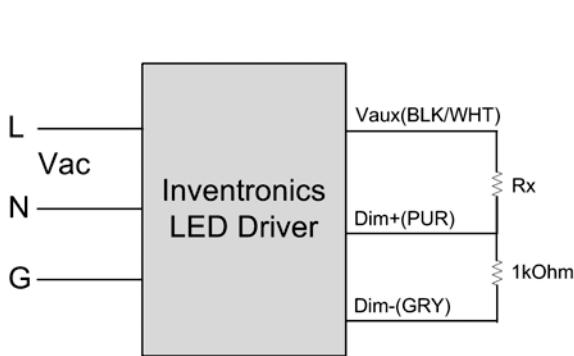


Dimming Control (On the secondary side)

Parameter	Min.	Typ.	Max.	Notes
12V output voltage	10.8 V	12 V	13.2 V	
12V output source current	0 mA	-	20 mA	
Absolute maximum voltage on the 1~10V input pin	0 V	-	12 V	
Source current on 1~10V input pin	0 uA	-	200 uA	

The dimmer control is operated from an input signal of 1 – 10 Vdc. Recommended implementations are provided below.





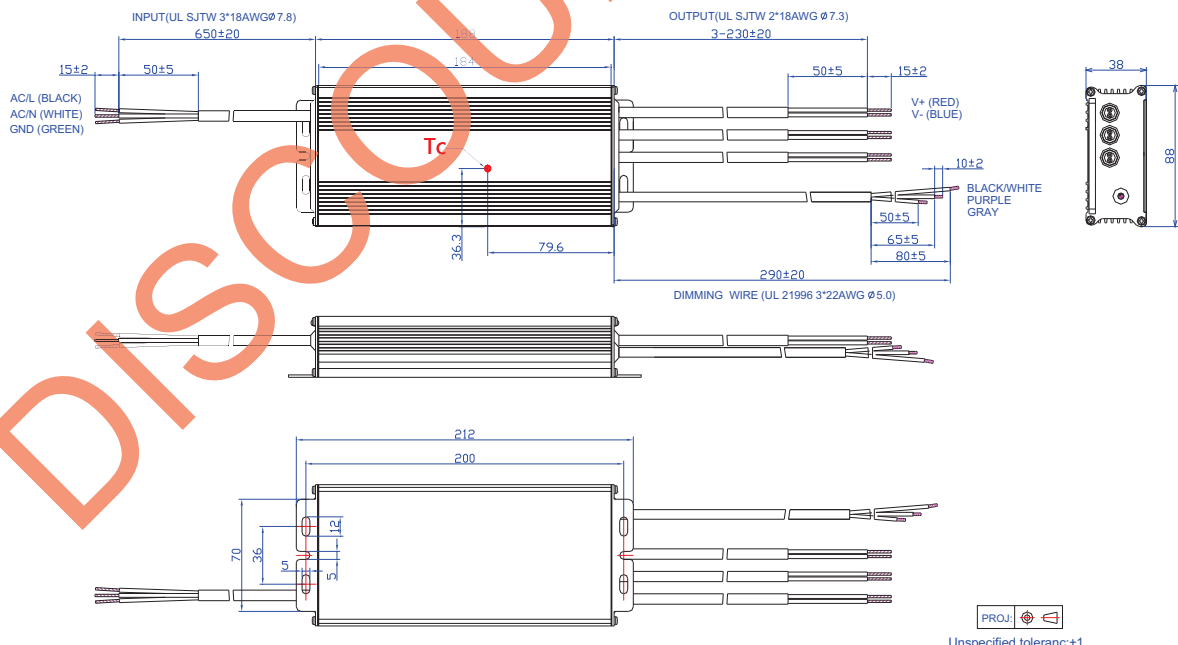
Implementation 3: External Resistor

Notes:

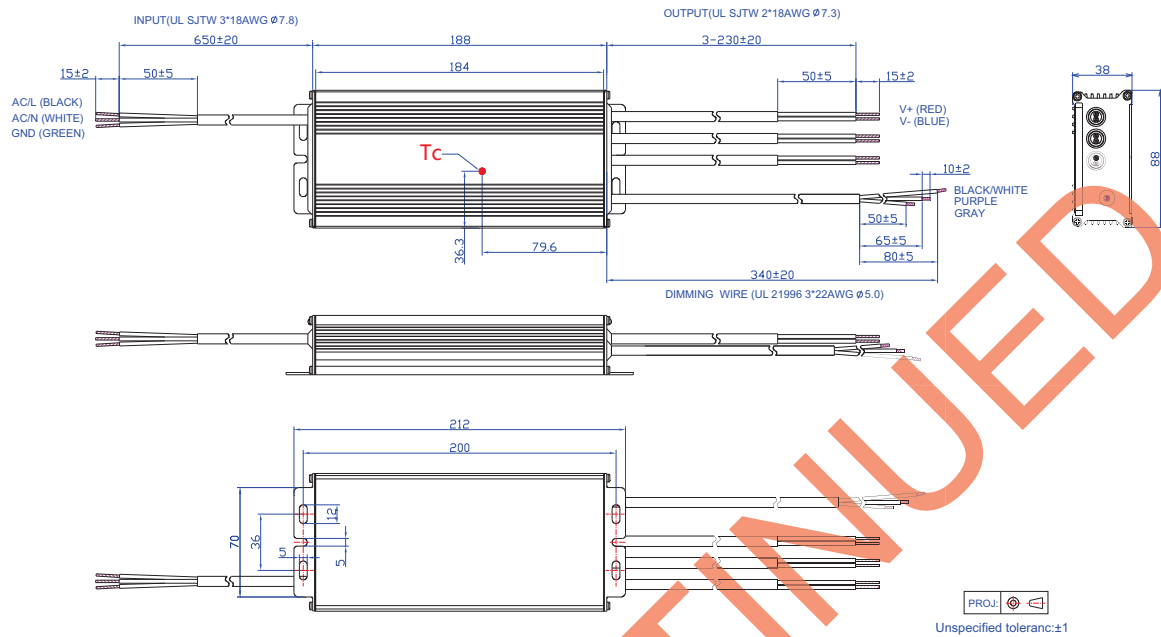
1. Io is actual output current and Ir is rated current without dimming control.
2. For the driver to operate properly, the load voltage must be maintained above the minimum voltage threshold (approx. 55% of the max. output voltage for any given model).
3. If the output voltage is maintained above 55% of the maximum output voltage, the dimming control may be operated over the entire 1-10V range with output current varying from 10% to 100% of Ir.
4. The dimming signal is allowed to be less than 1V, however, when it for 0-1V, the output current is 10%Io.
5. Do not connect the GND of dimming to the output; otherwise, the LED driver cannot work normally.
6. If 0-10V dimming is not used, Dim + can be either open or connected to Vaux.

Mechanical Outline

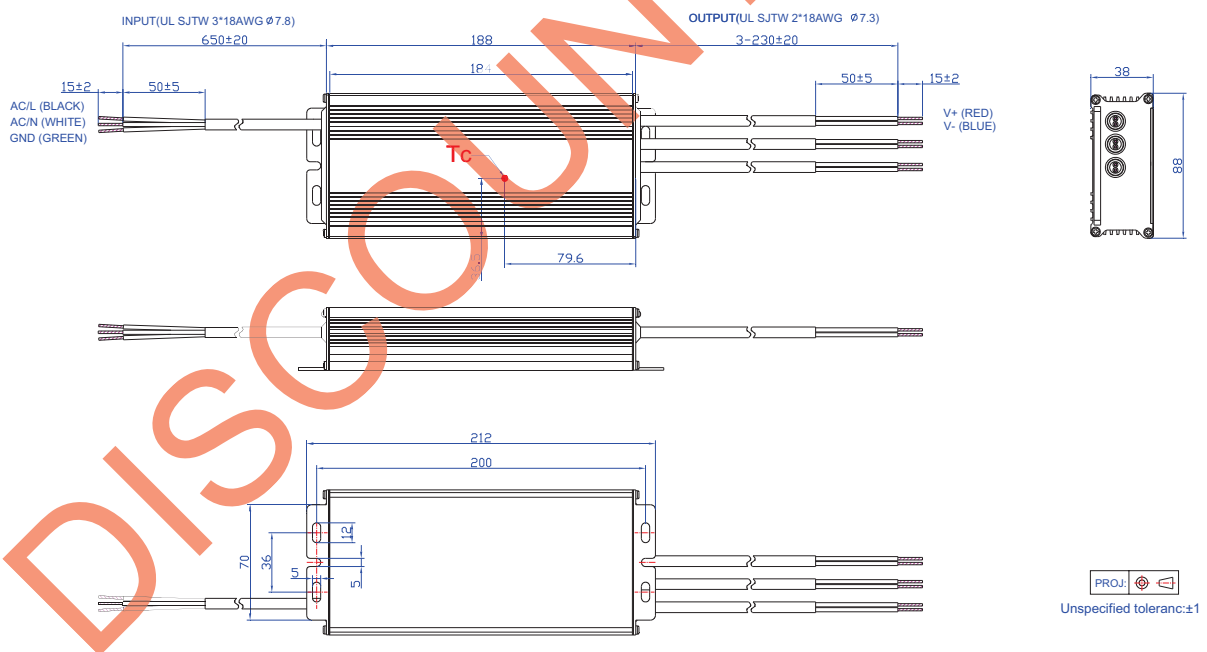
EUC-108T070DT



EUC-108T105/140DT



EUC-108TxxxST



RoHS Compliance

Our products comply with reference to RoHS Directive (EU) 2015/863 amending 2011/65/EU, calling for the elimination of lead and other hazardous substances from electronic products.

Revision History

Change Date	Rev.	Description of Change		
		Item	From	To
2013-09-13	A	Datasheets Release	/	/
2013-10-10	B	No-load Output Voltage	/	Updated
2017-09-07	C	KS	/	Added
		Features	/	Updated
		Description	/	Updated
		Models	Notes	Updated
		Leakage Current	Notes	Updated
		Input Specifications	PF/THD	Updated
		Output Specifications	Turn-on Delay Time	Updated
		Output Specifications	Output Overshoot / Undershoot	Deleted
		Output Specifications	Temperature Coefficient	Updated
		General Specifications	Case Temperature	Operating Case Temperature for Safety T _{c_s}
		General Specifications	Operating Case Temperature for Warranty T _{c_w}	Added
		General Specifications	Storage Temperature	Added
		General Specifications	With mounting ear	Added
		Environmental Specifications	/	Deleted
		Safety & EMC Compliance	/	Added
Mechanical Outline	/	Updated		
2018-10-08	D	Features	5 Years Warranty	Added
		Description	/	Updated
		No Load Output Voltage	/	Added
		Operating Case Temperature for Warranty T _{c_w}	Case temperature for 5 years warranty	Added
		Safety & EMC Compliance	KS	Added
		Mechanical Outline	EUC-108TxxxDT	Updated
2019-12-27	E	Features	4kV line-line, 6kV line-earth	DM 4kV, CM 6kV
		Features	Waterproof (IP67)	IP67
		Safety & EMC Compliance	EN 61000-4-5	Updated
		Safety & EMC Compliance	Note (1)	Added

Revision History (Continued)

Change Date	Rev.	Description of Change		
		Item	From	To
2019-12-27	E	Derating Curve	/	Deleted
		RoHS Compliance	/	Updated

DISCONTINUED