

## Features

- Innovative Design with No Electrolytic Capacitors
- Ultra Long Lifetime: Greater than 100,000 hrs at 85°C Case Temperature
- Full Power at Wide Output Current Range (Constant Power)
- Thermal Sensing and Protection for LED Module
- 0-10V/PWM/3 Timer Modes Dimmable
- Dim-to-Off with Standby Power  $\leq 0.5W$
- Always-on Auxiliary Power: 12Vdc, 200mA
- Output Lumen Compensation
- Input Surge Protection: DM 6kV, CM 10kV
- All-Around Protection: OVP, SCP, OTP
- IP67
- SELV Output
- 10 Years Warranty



## Description

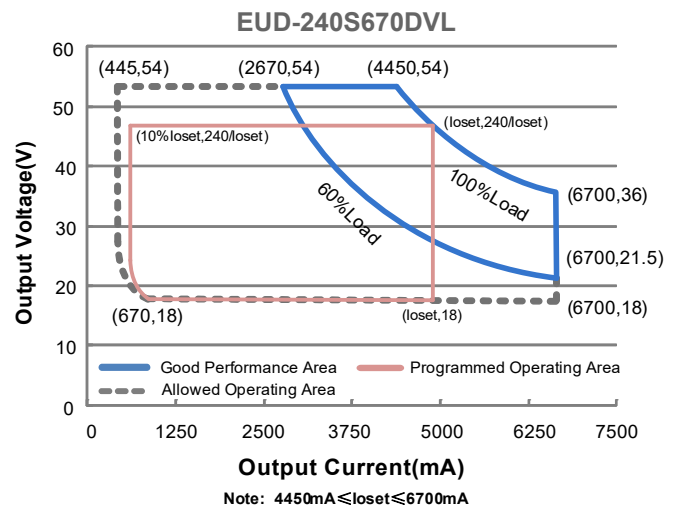
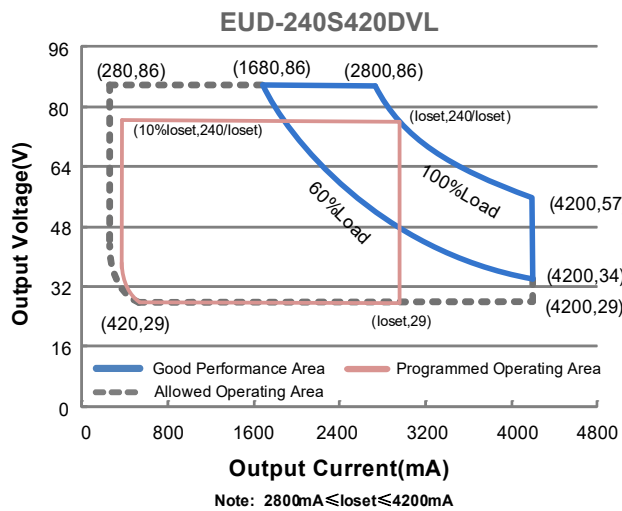
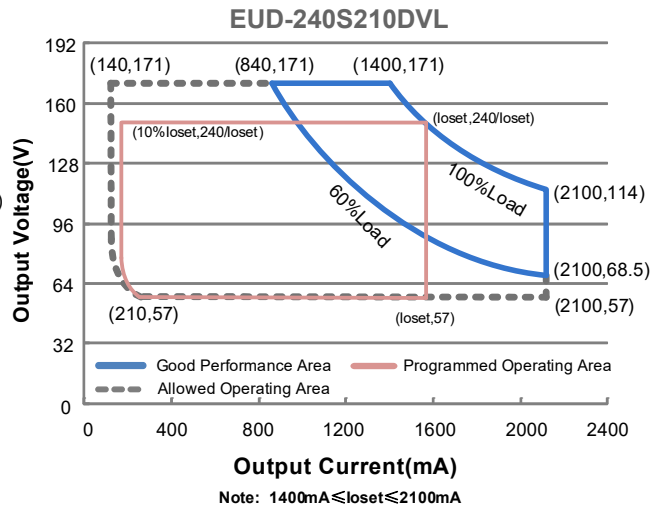
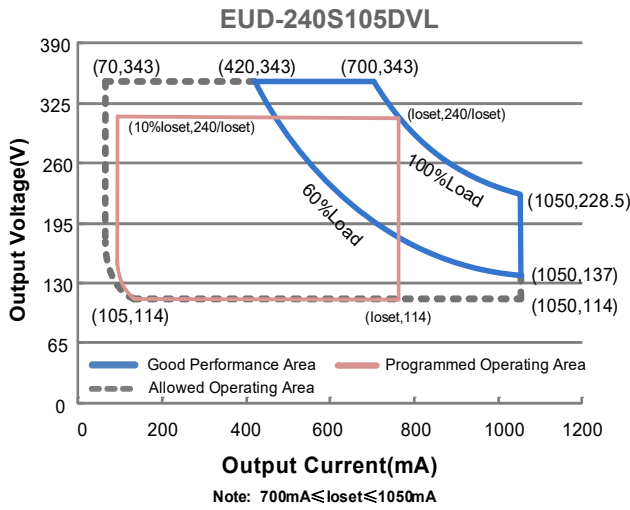
The EUD-240SxxxDVL series is a novel 240W design that has removed the use of Electrolytic capacitors to extend lifetime at elevated temperatures. It is a constant-current, programmable LED driver that operates from 90-305 Vac input with excellent power factor. Created for high bay, high mast, arena and roadway lights, it provides a dim-to-off mode with low standby power. The high efficiency of these drivers and compact metal case enables them to run cooler, significantly improving reliability and extending product life. To ensure trouble-free operation, protection is provided against input surge, output over voltage, short circuit, and over temperature of both the driver and the external LED array.

## Models

Adjustable Output Current Range	Full-Power Current Range (1)	Default Output Current	Input Voltage Range(2)	Output Voltage Range	Max. Output Power	Typical Efficiency (3)	Typical Power Factor		Model Number (5)
							120Vac	220Vac	
70-1050mA	700-1050mA	1050 mA	90~305Vac 127~250Vdc	114~343Vdc	240W	93.5%	0.98	0.96	EUD-240S105DVL
140-2100mA	1400-2100mA	1400 mA	90~305Vac 127~250Vdc	57~171Vdc	240W	93.5%	0.98	0.96	EUD-240S210DVL
280-4200mA	2800-4200mA	4200 mA	90~305Vac 127~250Vdc	29 ~ 86Vdc	240W	92.5%	0.98	0.96	EUD-240S420DVL <sup>(4)</sup>
445-6700mA	4450-6700mA	6700 mA	90~305Vac 127~250Vdc	18 ~ 54Vdc	240W	92.5%	0.98	0.96	EUD-240S670DVL <sup>(4)</sup>

- Notes:**
- (1) Output current range with constant power at 240W
  - (2) Certified input voltage range: 100-240Vac or 127-250Vdc (except CCC and KS)
  - (3) Measured at 100% load and 220Vac input (see below "General Specifications" for details).
  - (4) SELV Output.
  - (5) All the models are certificated to KS, except EUD-240S105DVL.

## I-V Operating Area



## Input Specifications

Parameter	Min.	Typ.	Max.	Notes
Input AC Voltage	90 Vac	-	305 Vac	
Input DC Voltage	127 Vdc	-	250 Vdc	
Input Frequency	47 Hz	-	63 Hz	
Leakage Current	-	-	0.70 mA	IEC 60598-1; 240Vac/ 60Hz
Input AC Current	-	-	2.85 A	Measured at 100% load and 100 Vac input.
	-	-	1.22 A	Measured at 100% load and 220 Vac input.
Inrush Current( $I^2t$ )	-	-	1.72 A <sup>2</sup> s	At 220Vac input, 25°C Cold Start, Duration=128 μs, 10%Ipk-10%Ipk. See Inrush Current Waveform for the details.

## Input Specifications (Continued)

Parameter	Min.	Typ.	Max.	Notes
PF	0.90	-	-	At 100-240Vac, 50-60Hz, 60%-100% Load (144-240W)
THD	-	-	20%	
THD	-	-	10%	At 220-240Vac, 50-60Hz, 75%-100% Load (180-240W)

## Output Specifications

Parameter	Min.	Typ.	Max.	Notes
Output Current Tolerance	-5%loset	-	5%loset	At 100% load condition
Output Current Setting(loset) Range				
EUD-240S105DVL	70 mA	-	1050 mA	
EUD-240S210DVL	140 mA	-	2100 mA	
EUD-240S420DVL	280 mA	-	4200 mA	
EUD-240S670DVL	445 mA	-	6700 mA	
Output Current Setting Range with Constant Power				
EUD-240S105DVL	700 mA	-	1050 mA	
EUD-240S210DVL	1400 mA	-	2100 mA	
EUD-240S420DVL	2800 mA	-	4200 mA	
EUD-240S670DVL	4450 mA	-	6700 mA	
Total Output Current Ripple (pk-pk)	-	8%lomax	15%lomax	At 100% load condition, 20 MHz BW
Output Current Ripple at < 200 Hz (pk-pk)	-	2%lomax	-	At 100% load condition. Only this component of ripple is associated with visible flicker.
Startup Overshoot Current	-	-	10%lomax	At 100% load condition
No Load Output Voltage				
EUD-240S105DVL	-	-	360 V	
EUD-240S210DVL	-	-	190 V	
EUD-240S420DVL	-	-	96 V	
EUD-240S670DVL	-	-	61 V	
Line Regulation	-	-	±0.5%	Measured at 100% load
Load Regulation	-	-	±1.5%	
Turn-on Delay Time	-	-	1.0 s	Measured at 120Vac input, 60%-100% Load
	-	-	0.5 s	Measured at 220Vac input, 60%-100% Load
Temperature Coefficient of loset	-	0.03%/°C	-	Case temperature = 0°C ~Tc max
12V Auxiliary Output Voltage	10.8 V	12 V	13.2 V	
12V Auxiliary Output Source Current	0 mA	-	200 mA	Return terminal is "Dim-"

## General Specifications

Parameter	Min.	Typ.	Max.	Notes	
Efficiency at 120 Vac input: EUD-240S105DVL I <sub>o</sub> = 700 mA I <sub>o</sub> = 1050 mA EUD-240S210DVL I <sub>o</sub> = 1400 mA I <sub>o</sub> = 2100 mA EUD-240S420DVL I <sub>o</sub> = 2800 mA I <sub>o</sub> = 4200 mA EUD-240S670DVL I <sub>o</sub> = 4450 mA I <sub>o</sub> = 6700 mA	89.0% 88.0% 89.0% 88.0% 88.0% 86.0% 88.5% 86.5%	91.0% 90.0% 91.0% 90.0% 90.0% 88.0% 90.5% 88.5%	- - - - - - - -	Measured at 100% load and steady-state temperature in 25°C ambient; (Efficiency will be about 2.0% lower if measured immediately after startup.)	
Efficiency at 220 Vac input: EUD-240S105DVL I <sub>o</sub> = 700 mA I <sub>o</sub> = 1050 mA EUD-240S210DVL I <sub>o</sub> = 1400 mA I <sub>o</sub> = 2100 mA EUD-240S420DVL I <sub>o</sub> = 2800 mA I <sub>o</sub> = 4200 mA EUD-240S670DVL I <sub>o</sub> = 4450 mA I <sub>o</sub> = 6700 mA	91.5% 90.5% 91.5% 90.0% 90.5% 88.5% 90.5% 88.5%	93.5% 92.5% 93.5% 92.0% 92.5% 90.5% 92.5% 90.5%	- - - - - - - -		
Efficiency at 277 Vac input: EUD-240S105DVL I <sub>o</sub> = 700 mA I <sub>o</sub> = 1050 mA EUD-240S210DVL I <sub>o</sub> = 1400 mA I <sub>o</sub> = 2100 mA EUD-240S420DVL I <sub>o</sub> = 2800 mA I <sub>o</sub> = 4200 mA EUD-240S670DVL I <sub>o</sub> = 4450 mA I <sub>o</sub> = 6700 mA	92.0% 91.0% 92.0% 90.5% 90.5% 88.5% 91.0% 89.0%	94.0% 93.0% 94.0% 92.5% 92.5% 90.5% 93.0% 91.0%	- - - - - - - -		
Standby power	-	-	0.5 W		Measured at 230Vac/50Hz; Dimming off
MTBF	-	256,000 Hours	-		Measured at 220Vac input, 80%Load and 25°C ambient temperature (MIL-HDBK-217F)
Lifetime	-	100,000 Hours	-		Measured at 220Vac input, 80%Load and 85°C case temperature; See lifetime vs. T <sub>c</sub> curve for the details
Operating Case Temperature for Safety T <sub>c_s</sub>	-40°C	-	+90°C		
Operating Case Temperature for Warranty T <sub>c_w</sub>	-40°C	-	+75°C		Case temperature for 10 years warranty. Please see <i>Inventronics EUD-DVL Warranty Statement</i> for complete details.
Storage Temperature	-40°C	-	+85°C		Humidity: 5%RH to 100%RH

## General Specifications (Continued)

Parameter	Min.	Typ.	Max.	Notes
Dimensions Inches (L × W × H) Millimeters (L × W × H)		8.86 × 2.66 × 1.56 225 × 67.5 × 39.7		With mounting ear 9.68 × 2.66 × 1.56 246 × 67.5 × 39.7
Net Weight	-	1300 g	-	

## Dimming Specifications

Parameter	Min.	Typ.	Max.	Notes	
Absolute Maximum Voltage on the Vdim (+) Pin	-20 V	-	20 V		
Source Current on Vdim (+) Pin	200 uA	300 uA	450 uA	Vdim(+) = 0 V	
Dimming Output Range	EUD-240S105DVL EUD-240S210DVL EUD-240S420DVL EUD-240S670DVL	10%loset	-	loset	700 mA ≤ loiset ≤ 1050 mA 1400 mA ≤ loiset ≤ 2100 mA 2800 mA ≤ loiset ≤ 4200 mA 4450 mA ≤ loiset ≤ 6700 mA
	EUD-240S105DVL EUD-240S210DVL EUD-240S420DVL EUD-240S670DVL	70 mA 140 mA 280 mA 445 mA	-	loset	70 mA ≤ loiset < 700 mA 140 mA ≤ loiset < 1400 mA 280 mA ≤ loiset < 2800 mA 445 mA ≤ loiset < 4450 mA
Recommended Dimming Input Range	0 V	-	10 V	Default 0-10V dimming mode.	
Dim off Voltage	0.35 V	0.5 V	0.65 V		
Dim on Voltage	0.55 V	0.7 V	0.85 V		
Hysteresis	-	0.2 V	-		
PWM_in High Level	3 V	-	10 V	Dimming mode set to PWM in Inventronics programming software.	
PWM_in Low Level	-0.3 V	-	0.6 V		
PWM_in Frequency Range	200 Hz	-	3 KHz		
PWM_in Duty Cycle	1%	-	99%		
PWM Dimming off (Positive Logic)	2%	5%	8%		
PWM Dimming on (Positive Logic)	4%	7%	10%		
PWM Dimming off ( Negative Logic)	92%	95%	98%		
PWM Dimming on ( Negative Logic)	90%	93%	96%		
Hysteresis	-	2%	-		

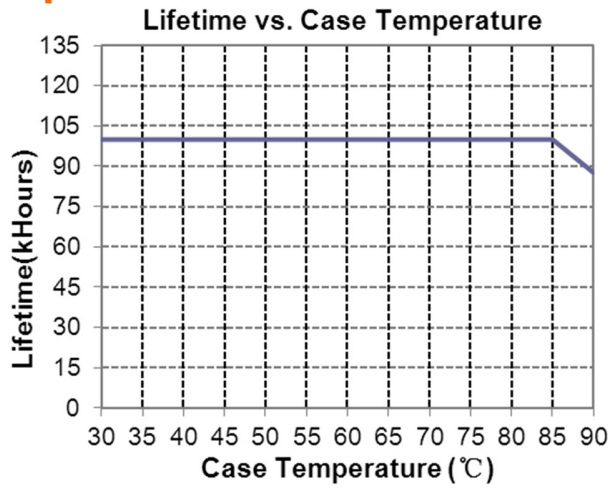
## Safety & EMC Compliance

Safety Category	Standard
ENEC & CE	EN 61347-1, EN61347-2-13
CB	IEC 61347-1, IEC 61347-2-13
CCC	GB 19510.1, GB 19510.14
KS	KS C 7655
KC	KC 61347-1, KC 61347-2-13
EMI Standards	Notes
EN IEC 55015/GB/T 17743/KN 15 <sup>(1)</sup>	Conducted emission Test & Radiated emission Test
EN IEC 61000-3-2/GB 17625.1	Harmonic current emissions
EN 61000-3-3	Voltage fluctuations & flicker
EMS Standards	Notes
EN 61000-4-2	Electrostatic Discharge(ESD): 8kV air discharge, 4kV contact discharge
EN 61000-4-3	Radio-Frequency Electromagnetic Field Susceptibility Test-RS
EN 61000-4-4	Electrical Fast Transient/Burst-EFT
EN 61000-4-5	Surge Immunity Test: AC Power Line: Differential Mode 6kV, Common Mode 10kV <sup>(2)</sup>
EN 61000-4-6	Conducted Radio Frequency Disturbances test-CS
EN 61000-4-8	Power Frequency Magnetic Field Test
EN 61000-4-11	Voltage Dips
EN 61547	Electromagnetic Immunity Requirements Applies To Lighting Equipment

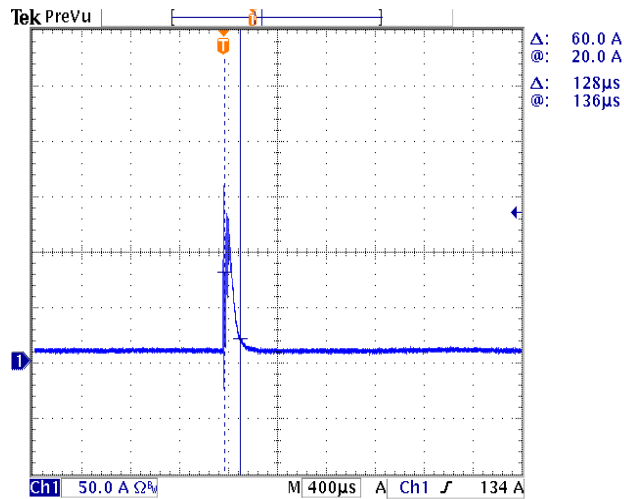
**Note:** (1) This LED driver meets the EMI specifications above, but EMI performance of a luminaire that contains it depends also on the other devices connected to the driver and on the fixture itself.

(2) To perform electric strength (hi-pot) testing, the "GDT ground disconnect" (nut and metal lock sheet) on the driver end-cap should be removed temporarily to prevent the internal gas discharge tube from conducting (as allowed by IEC 60598-1 Clause 10.2). After testing is completed, these items must be reinstalled to restore line-to-earth surge protection and secure the end cap.

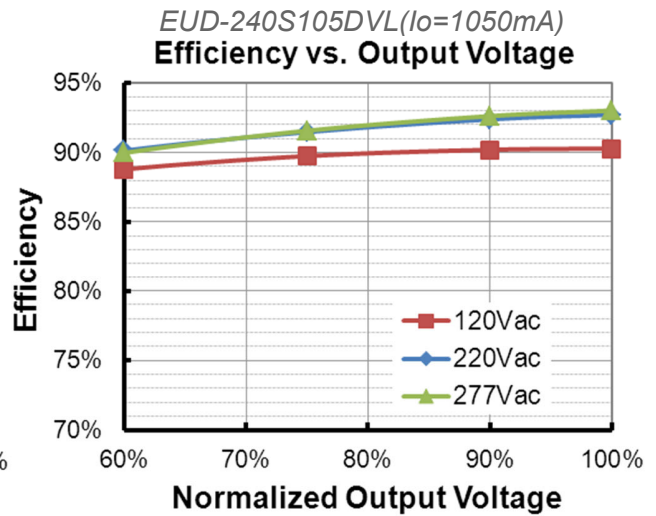
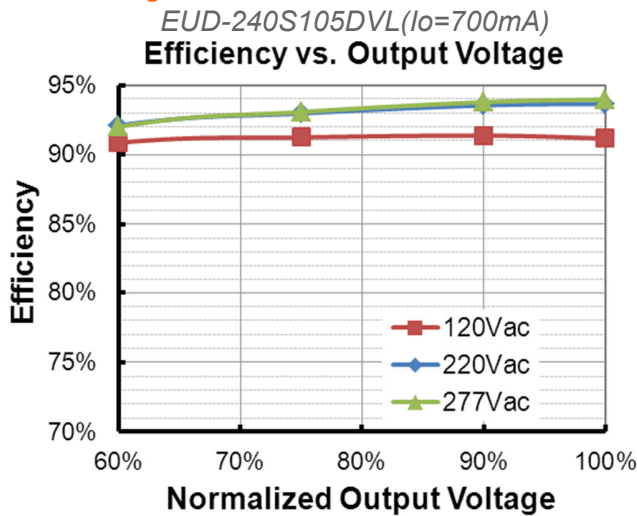
## Lifetime vs. Case Temperature

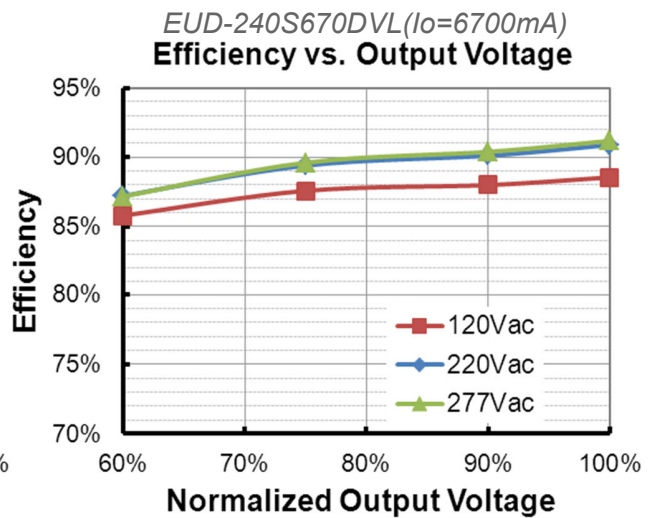
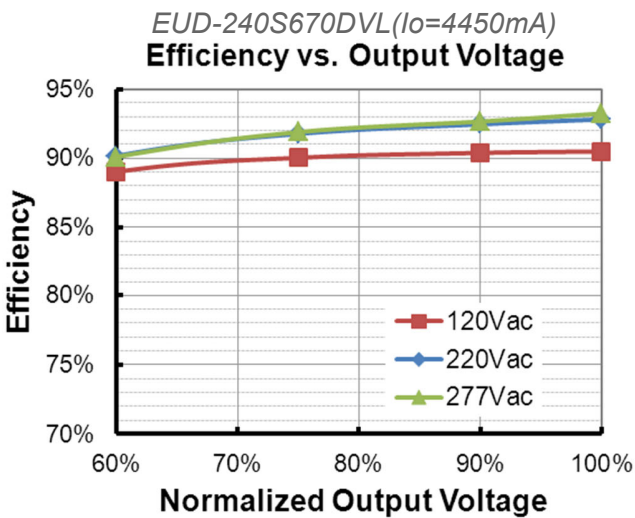
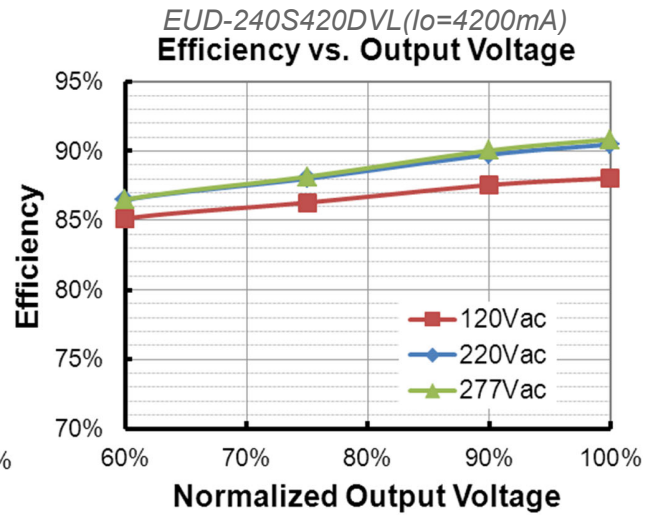
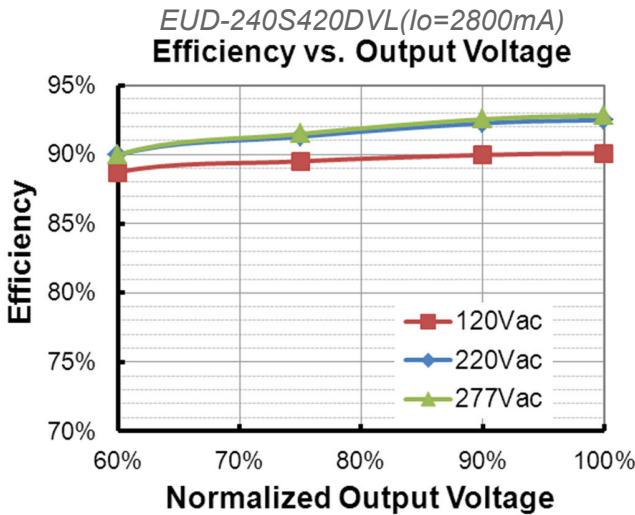
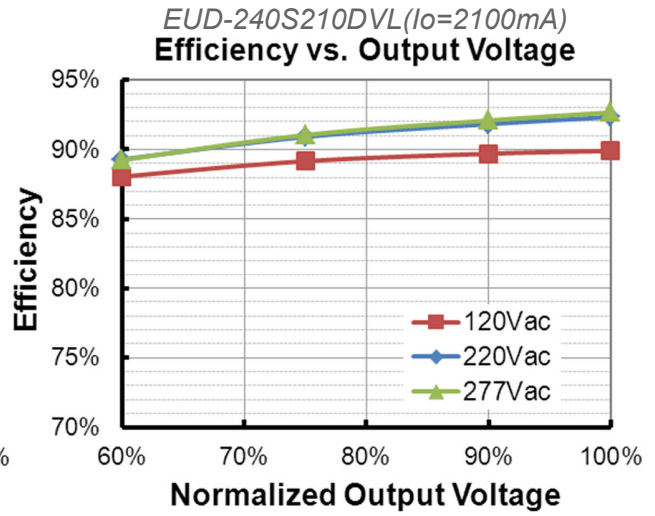
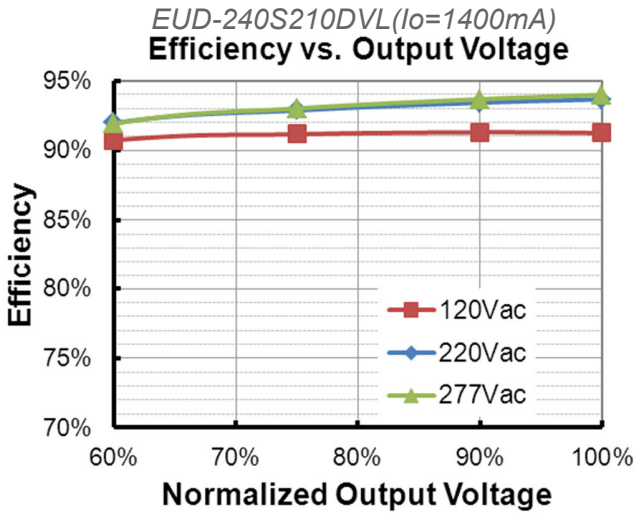


## Inrush Current Waveform



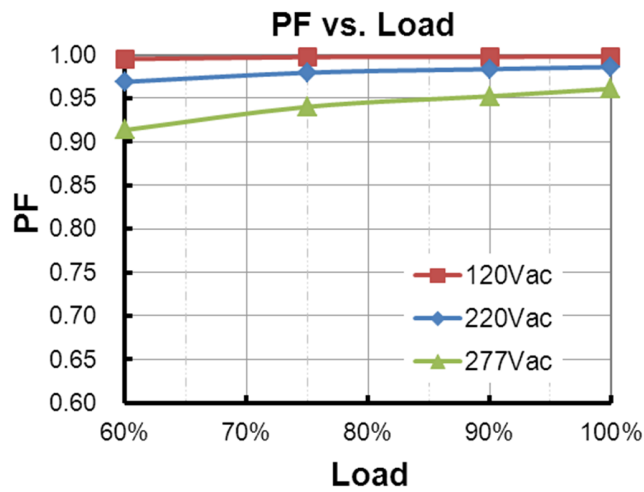
## Efficiency vs. Load



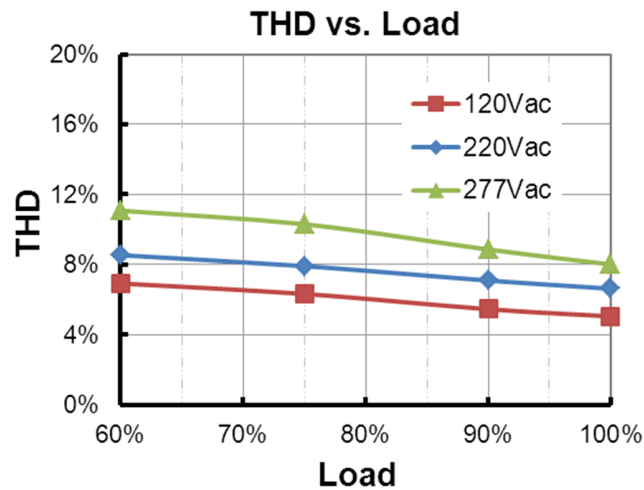




## Power Factor



## Total Harmonic Distortion



## Protection Functions

Parameter		Min.	Typ.	Max.	Notes
External Thermal Protection NTC	R1	-	7.81 kOhm	-	When R_NTC falls below R1, External Thermal Protection is triggered, reducing output current until R2 is reached.
	R2	-	4.16 kOhm	-	When R_NTC is less than R2, output current is reduced to the programmed "Protection Current Floor."
	Protection Current Floor	10%loset	60%loset	100%loset	10%loset > lomin (default setting is 60%)
		lomin	60%loset	100%loset	10%loset ≤ lomin (default setting is 60%)

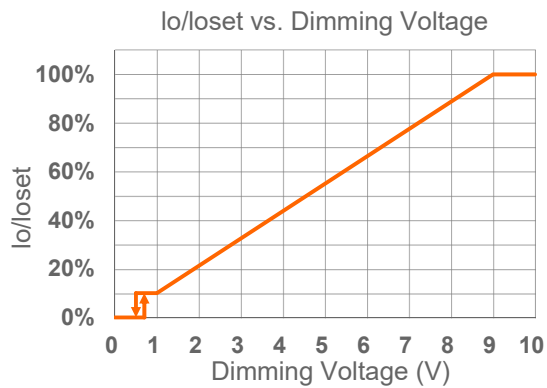
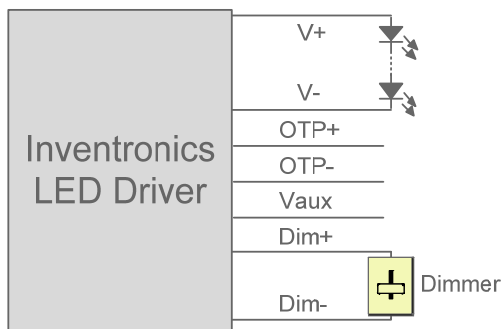
## Protection Functions (Continued)

Parameter	Notes
Over Temperature Protection	Decreases output current, returning to normal after over temperature is removed.
Short Circuit Protection	Auto Recovery. No damage will occur when any output is short circuited. The output shall return to normal when the fault condition is removed.
Over Voltage Protection	Limits output voltage at no load and in case the normal voltage limit fails.

## Dimming

### ● 0-10V Dimming

The recommended implementation of the dimming control is provided below.



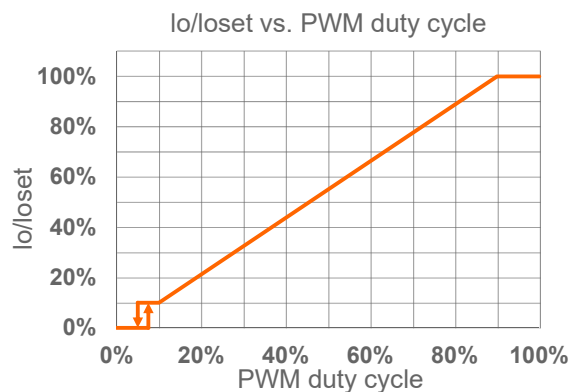
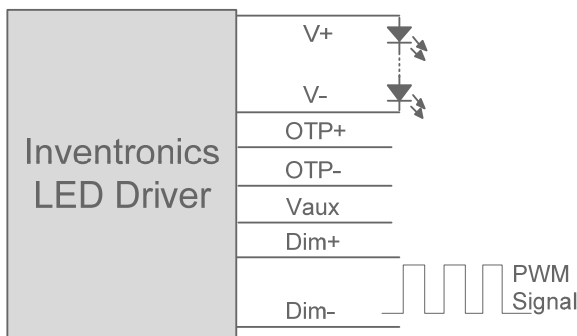
Implementation 1: DC Input

#### Notes:

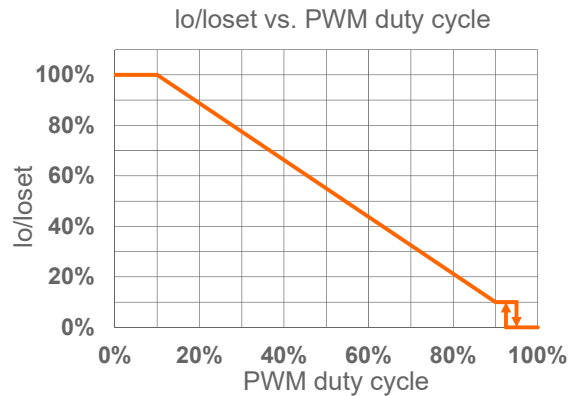
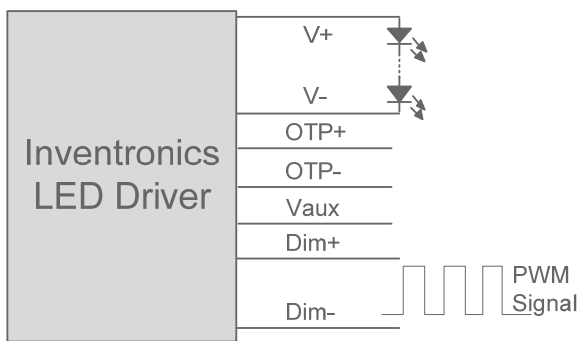
1. Do NOT connect Dim- to the output V- or V+, otherwise the driver will not work properly.
2. The dimmer can also be replaced by an active 0-10V voltage source signal or passive components like zener.

### ● PWM Dimming

The recommended implementation of the dimming control is provided below.



Implementation 2: Positive logic



### Implementation 3: Negative logic

**Notes:**

1. Do NOT connect Dim- to the output V- or V+, otherwise the driver will not work properly.
2. When PWM negative logic dimming mode and Dim+ is open, the driver will output minimum current.

● **Time Dimming**

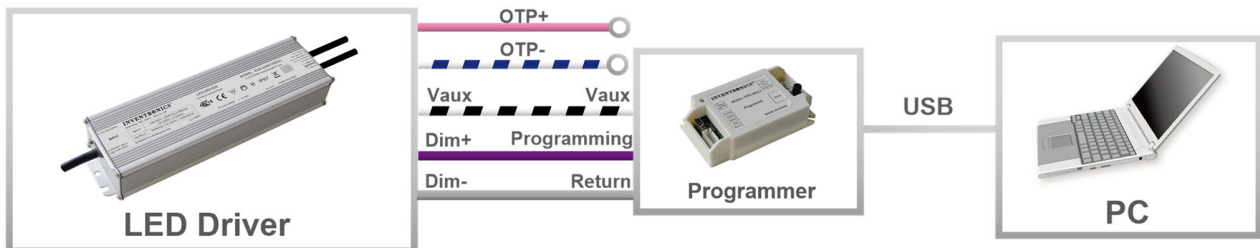
Time dimming control includes 3 kinds of modes, they are Self Adapting-Midnight, Self Adapting-Percentage and Traditional Timer.

- **Self Adapting-Midnight:** Automatically adjusts the dimming curve based on the on-time of past two days (if difference <15 minutes), assuming that the center point of the dimming curve is midnight local time.
- **Self Adapting-Percentage:** Automatically adjusts the on-time of each step by a constant percentage = (actual on-time for the past 2 days if difference <15 min) / (programmed on-time from the dimming curve).
- **Traditional Timer:** Follows the programmed timing curve after power on with no changes.

● **Output Lumen Compensation**

Output Lumen Compensation (OLC) may be used to maintain constant light output over the life of the LEDs by driving them at a reduced current when new, then gradually increasing the drive current over time to counteract LED lumen degradation.

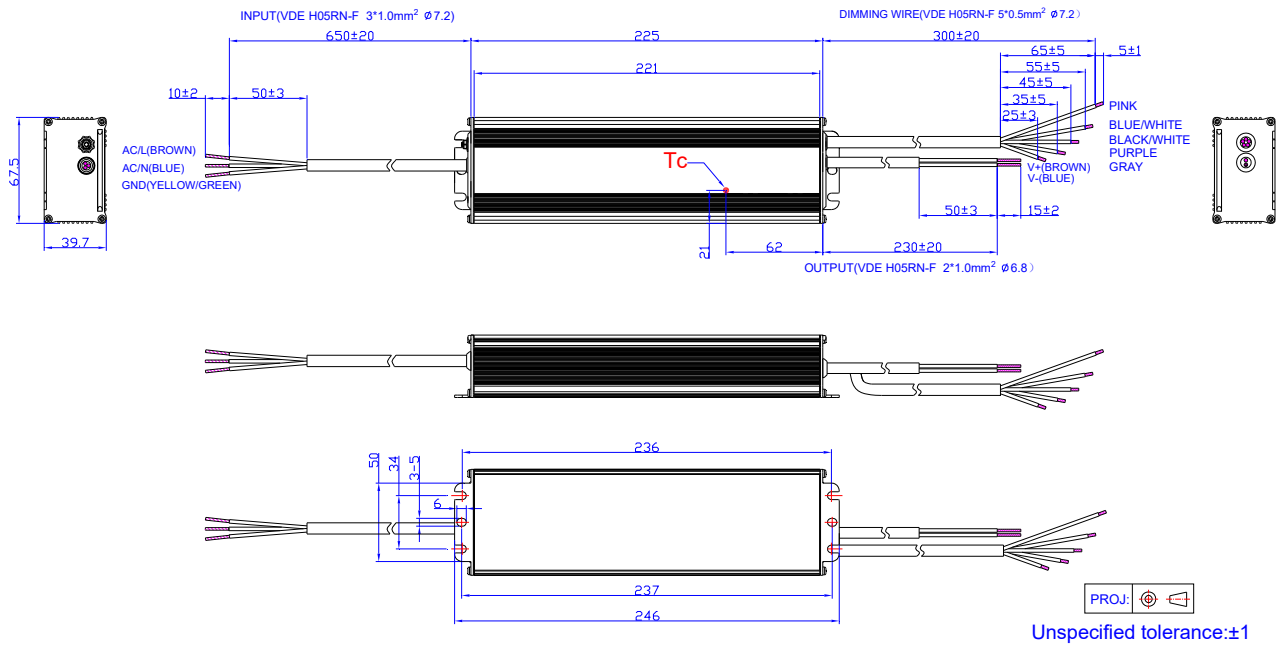
### Programming Connection Diagram



**Note:** The driver does not need to be powered on during the programming process.

- Please refer to [PRG-MUL2 Multi-Programmer datasheet](#) for details.

## Mechanical Outline



## RoHS Compliance

Our products comply with reference to RoHS Directive (EU) 2015/863 amending 2011/65/EU, calling for the elimination of lead and other hazardous substances from electronic products.

## Revision History

Change Date	Rev.	Description of Change		
		Item	From	To
2017-08-09	A	Datasheets Release	/	/
2023-08-24	B	TUV/PSE logo	/	Deleted
		KC/KCC logo	/	Added
		ENEC logo	/	Updated
		Product Photograph	/	Updated
		Safety & EMC Compliance	/	Updated
		Dimming	/	Updated
2024-10-14	C	Programming Connection Diagram	/	Updated
		Format	/	Updated