

## Product data sheet: B NLC 10V CO REL for HubSense®

### Bluetooth® Networked Lighting Converter For 0...10V LED driver

#### Product family benefits

Design freedom due to compact size  
Easy to integrate in HubSense

#### Areas of application

Warehouse  
Factories  
Retailers  
Sports Hall

#### Benefits

Remote controlled relay and 0.10V converter  
Fast and easy provisioning

Works with INVENTRONICS Hubsense

#### Approbations & Certifications

(SRRRC) CE, Bluetooth, UL

Housing material: plastic

#### Product Features

- Bluetooth NLC dimmer for 0/1...10V LED drivers
- Bluetooth NLC remote controlled relay up to 20A
- Very long wireless range
- Plastic enclosure for industrial application

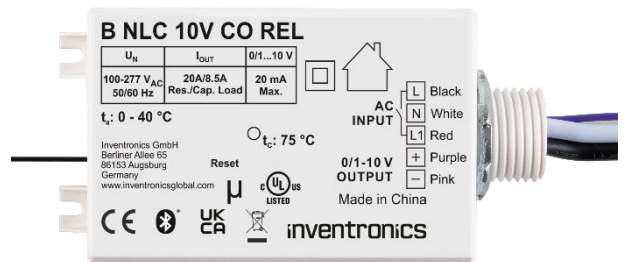


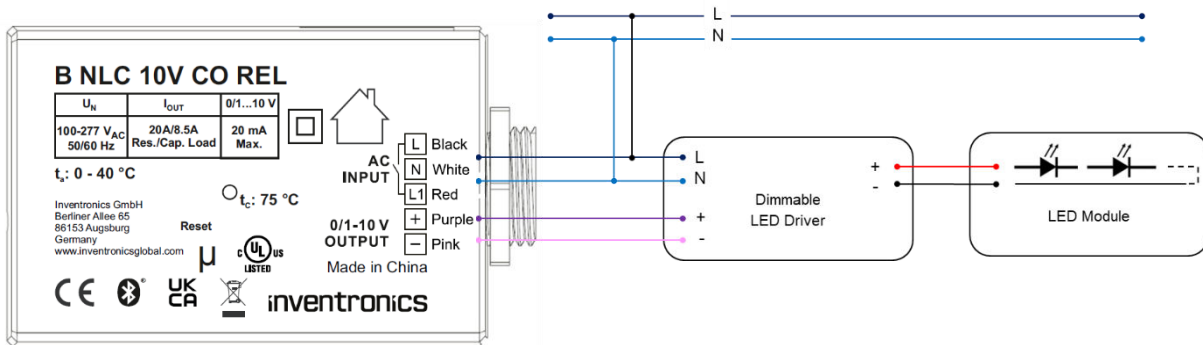
Image is for reference only

Electrical Specifications

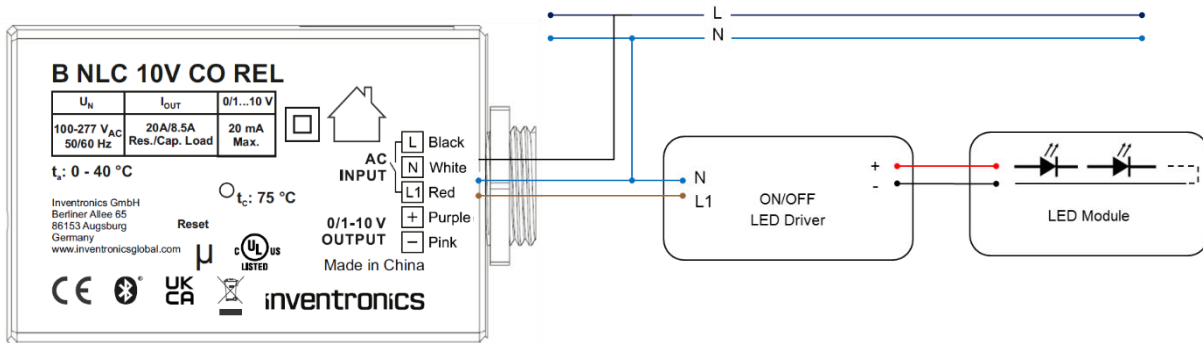
	Item	Value	Unit	Remarks
INPUT/ OUTPUT	Rated voltage	100 - 277	VAac	
	Mains frequency	50/60	Hz	
	Peak input current		mA	
	System wattage	2000 / 4000	W	Inductive load / resistive load
	Radio frequency	2.4	GHz	
	Max Tx Power	+4	dBm	2.512 mW
	Wireless protocol			Bluetooth NLC provided by SILVAIR
	Range	40	m	Line of sight
CAPABILITIES	Control interface			Bluetooth NLC
	Number of connected drivers	See note		Max 20 mA @ 0/1...10V
	Output relay current	20A		Resistive load
		10A		Inductive load
		8.5A		Capacitive laod
	Stand by power	tbd	W	
	Dimmable	yes		
	Dimming interface	0/1...10V		
	Installations			Flush box
	Reset			Manual by button
LEDs indicator			Blue: network status	
ENVIRONMENT	Ambient temperature range $t_a$	-20...+50	°C	
	Maximum case temperature $t_c$	75		
	Storage temperature range		°C	
	Operating humidity	8 ... 80	%	
	Storage humidity	0 ... 95	%	Not condensing
	Environment rating	Indoor		
	IP rating	IP 20		
	Expected lifetime	50'000	h	Ta=40°C
DIMENSIONS AND WEIGHT	Length	82.5	mm	
	Width	55	mm	
	Height	31	mm	
	Product weight		mm	
	Wire length, input/output side	15	cm	Black (L), white (N), red (L1)
	Cable cross section, input side	3.3	mm <sup>2</sup>	AWG 12
	Wire length, control side	15	cm	Purple (+), pink (-)
	Cable cross section, control side	0.32	mm <sup>2</sup>	AWG 22
S T				
	SRRC, CE, DALI-2			

## Installation

### 0/1...10V Dimming configuration



### Relay configuration



### Additional product information

- By integrating the device into a casing, the wireless range could be affected by metal surfaces. Therefore, the wireless range needs to be verified after integration.
- The device could be reset to factory default by pressing the button (cfr User Instruction)
- The status LED of the device indicates following Network status
  - Blue LED Indicator:
    - Success connection: LED indicator flashes 2s at once
    - No connections: LED indicator flashes 0.3s at once
  - Reset to factory settings:
    - LED indicator flashes 1s at once, then quickly flashes and disappears
- The device has passed successfully the SILVAIR Testing process.
- The device can be put into operation using the inventronics HubSense Commissioning Tool (<https://platform.hubsense.eu>), subject to prior acceptance of the Terms of Use and the Privacy Policy.
- inventronics may terminate or suspend the use of the HubSense Commissioning Tool at any time and for any or no reason in its sole discretion, even if access and use is continued to be allowed to others.
- The device complies with Bluetooth mesh Standard v1.0. It can also be used in 3rd party Bluetooth mesh network, that complies with this standard and that supports the mesh models of this device, and with certain 3rd party commissioning tools, that support the mesh models of this device. In order to ensure correct interoperability a verification with the 3rd party network components and the 3rd party commissioning tool is necessary in advance. Please contact inventronics (support@inventronicsglobal.com) to receive the actual list of supported models for this device.
- inventronics shall have no liability for any 3rd party commissioning tool and does not make any representations, express or implied, about the availability and/or performance of such commissioning tool.
- inventronics shall have no liability for and does not make any representations, express or implied, about the connectivity of inventronics Bluetooth NLC products with any other products, that have passed the SILVAIR Testing process

### ordering information

---

Product type	Full part Number
B NLC 10V CO REL	9BNLC10VCOREL-0000