

Product data sheet: B NLC D LI R– dongle for HubSense®

Bluetooth Networked Lighting Control dongle

D4I standard

Product family benefits

DiiA D4I certified incl.parts -351
 Design freedom due to compact size
 Easy to integrate in luminaire
 Minimize internal wiring in combination with DEXAL drivers

Areas of application

Open offices
 Individual offices
 Conference rooms
 Classrooms
 Storage and break areas
 Stairways
 Toilets

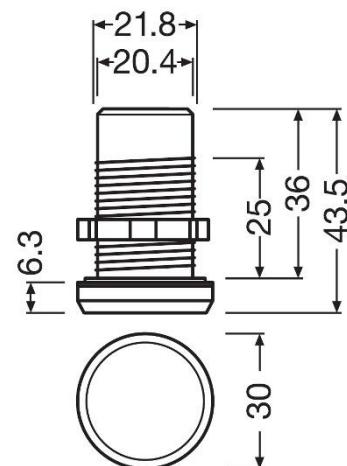
Benefits

Very good radio performances for metal luminaires
 Qualified Bluetooth mesh
 Control of D4I drivers or DALI drivers
 Dimension in accordance with Zhaga Book 20
 Works with Inventronics D4i LED drivers
 Works with HubSense®

Approbations & Certifications

Bluetooth, D4I, SRRC, UL

Housing material: plastic



Product Features

- Sensor for luminaire integration based on qualified Bluetooth mesh
- Stand by power consumption <150mW
- D4I controlled
- 5 years guarantee
- 50000 h lifetime at tc max = 75°C
- Ideal solution for metal luminaires

Electrical Specifications

	Item	Value	Unit	Remarks
INPUT/OUTPUT	Rated voltage	12 –22.5	Vdc	According to D4I standard
	Average input current	10	mA	
	Peak input current	30	mA	250 mA max as per DALI standard
	Power Consumption	<150	mW	
	Radio frequency	2.4	GHz	
	Max Tx Power	+8	dBm	4.884 mW
	Wireless protocol			Bluetooth NLC provided by SILVAIR
	Range	20	m	Line of sight
CAPABILITIES	Control	D4I		
	Number of connected drivers	1 to 4		D4I LED drivers
	Installations			Luminaire integration and false ceilings
	Reset			Magnet
	LEDs indicator			Blue x 1, Red x 1 (pairing, connected & etc. indications)
ENVIRONMENT	Ambient temperature range t_a	-20 ...+50	°C	
	Maximum case temperature t_c	60	°C	(50,000 hrs lifetime at max. $T_a = 50^\circ\text{C} / T_c = 60^\circ\text{C}$)
	Max. case temp. in fault condition	110	°C	
	Storage temperature range	-20 ...+70	°C	
	Operating humidity	0 ... 90	%	
	Storage humidity	0 ... 95	%	Not condensing
	Environmental rating	Indoor		
	IP rating	IP 65		Gasket included. When installed on a sealed luminaire
		Expected lifetime	50'000	h
DIMENSIONS AND WEIGHT	Screw thread length	25	mm	
	Length	43.5	mm	
	Diameter internal	21.8	mm	
	Diameter external	28	mm	
	Protrusion	6	mm	
	Mounting hole diameter	22 – 23	mm	
	Product weight	130	g	
	Wire preparation length, input side	7 ... 9	mm	22...18 AWG
	Cable cross section, input side	0.25...0.75	mm ²	
	Maximum allowed cable length	10	m	
STANDARDS	CE LVD: EN61347-2-11 EMC: EN 301 489-1 EN 301 489-17 EN 50581 EN 62479 EN 300 328 DALI 2: EN IEC 62386-101, EN IEC 62386-103 and D4i Part 351 RoHS & REACH compliance UL SRRC,			

Ordering Information

Product type	Order code
BNLC D LI R	9BNLCDLIR0000-0000

Additional product information

- By integrating the device into a casing, the wireless range could be affected by metal surfaces. Therefore, the wireless range needs to be verified after integration and on the application site.
- The device could be reset to factory default by magnet (cfr User Instruction)
- The status LED of the device indicates following Network status
 - Blue LED Indicator:
 - Success connection: LED indicator flashes 2s at once
 - No connections: LED indicator flashes 0.3s at once
 - Reset to factory settings:
 - LED indicator flashes 1s at once, then quickly flashes and disappears
 - Red LED Indicator:
 - Warm up: LED indicator disappears after 60s
- The device has passed successfully the SILVAIR testing process.
- The device can be put into operation using the Inventronics HubSense Commissioning Tool (<https://platform.hubsense.eu>), subject to prior acceptance of the Terms of Use and the Privacy Policy.
- Inventronics may terminate or suspend the use of the HubSense Commissioning Tool at any time and for any or no reason in its sole discretion, even if access and use is continued to be allowed to others.
- The device complies with Bluetooth mesh Standard v1.0. It can also be used in 3rd party Bluetooth mesh network, that complies with this standard and that supports the mesh models of this device, and with certain 3rd party commissioning tools, that support the mesh models of this device. In order to ensure correct interoperability a verification with the 3rd party network components and the 3rd party commissioning tool is necessary in advance. Please contact Inventronics (support@inventronicsglobal.com) to receive the actual list of supported models for this device.
- Inventronics shall have no liability for any 3rd party commissioning tool and does not make any representations, express or implied, about the availability and/or performance of such commissioning tool.
- Inventronics shall have no liability for and does not make any representations, express or implied, about the connectivity of Inventronics qualified Bluetooth mesh products with any other products, that have passed the SILVAIR testing process

Inventronics GmbH
Parkring 31-33, 85748
Garching, Germany
Phone +49 89 6213-0
www.inventronicsglobal.com

inventronics