

## Features

- Non-Isolated Class I Driver
- No Afterglow
- Dim-to-Off with Standby Power  $\leq 0.5W$  @ 230Vac
- Ultra High Efficiency (Up to 97%)
- Full Power at Wide Output Current Range (Constant Power)
- Adjustable Output Current (AOC) with NFC
- DALI-2 and D4i Certified & DMX-RDM & 0-10V & PWM & Resistor & 3-Timer-Modes Dimmable
- Adjustable Dimming Curve
- INV Digital Dimming, UART Based Communication Protocol
- Hold Time Adjustable
- Fade Time Adjustable
- Always-on Auxiliary Power: 12Vdc, 250mA (Except DMX-RDM Mode)
- Minimum Dimming Level Supports 0.1% for DALI-2 and DMX-RDM
- Minimum Dimming Level Supports 1% for 0-10V, PWM, Resistor, Time Dimming and Digital Dimming
- Controls up to 44 fps
- Integrated Power Metering with High Accuracy up to  $\pm 1\%$
- Low Inrush Current
- Output Lumen Compensation
- End-of-Life Indicator
- Input Surge Protection: DM 10kV, CM 10kV
- All-Around Protection: OPP, IOVP, IUVP, OVP, SCP, OTP
- IP66/IP67 and UL Dry/Damp/Wet Location
- TYPE HL, for Use in a Class I, Division 2 Hazardous (Classified) Location
- 5 Years Warranty



## Description

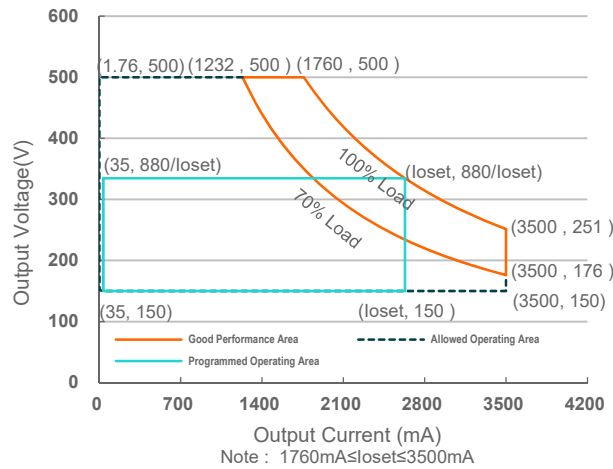
The NFM-880SxxxGx series is an 880W, constant-current, programmable and IP66/IP67 rated LED driver that operates from 180-528Vac input with excellent power factor. Created for many lighting applications including high mast, sports, UV-LED and horticulture, etc. It provides an auxiliary voltage and dim-to-off functionality for powering low voltage, wireless controls. The high efficiency of these drivers and compact metal case enables them to run cooler, significantly improving reliability and extending product life. To ensure trouble-free operation, protection is provided against input surge, overpower protection, input under voltage, input over voltage, output over voltage, short circuit, and over temperature.

## Models

Adjustable Output Current Range (mA)	Full-Power Current Range (mA) <sup>(1)</sup>	Default Output Current (mA)	Output Voltage Range (Vdc)	Max. Output Power (W)	Typical Efficiency <sup>(2)</sup>	Typical Power Factor		Model Number <sup>(3) (4)</sup>
						220Vac	480Vac	
1.76-3500	1760-3500	3500	150-500	880	97.0%	0.99	0.95	NFM-880S350Gx

- Notes:** (1) Output current range with constant power at 880W.  
 (2) Measured at 100% load and 480Vac input (see below "General Specifications" for details).  
 (3) Certified voltage range: 200-480Vac  
 (4) x = G are UL Recognized, ENEC and CE, etc. models; x = T are UL Class P models.

## I-V Operation Area



## Input Specifications

Parameter	Min.	Typ.	Max.	Notes
Input AC Voltage	180 Vac	-	528 Vac	
Input DC Voltage	255 Vdc	-	500 Vdc	
Input Frequency	47 Hz	-	63 Hz	
Leakage Current	-	-	0.75 MIU	UL 8750; 480Vac/ 60Hz
	-	-	0.70 mA	IEC 60598-1; 480Vac/ 60Hz, grounding effectively
Input AC Current	-	-	5.16 A	Measured at 100% load and 200 Vac input.
	-	-	2.16 A	Measured at 100% load and 480 Vac input.
Inrush Current(I <sup>2</sup> t)	-	-	2.09 A <sup>2</sup> s	At 480Vac input, 25°C cold start, duration=11.6 ms, 10%I <sub>pk</sub> -10%I <sub>pk</sub> .
PF	0.90	-	-	At 200-480Vac, 50-60Hz, 70%-100%Load (616 - 880W)
THD	-	-	20%	
THD	-	-	10%	At 220-240Vac, 50-60Hz, 75%-100%Load (660 - 880W)

## Output Specifications

Parameter	Min.	Typ.	Max.	Notes
Output Current Tolerance	-5%loset		5%loset	100% load
Output Current Setting(loset) Range				
NFM-880S350Gx	35 mA	-	3500 mA	
Output Current Setting Range with Constant Power				
NFM-880S350Gx	1760 mA	-	3500 mA	

## Output Specifications (Continued)

Parameter		Min.	Typ.	Max.	Notes
Total Output Current Ripple (pk-pk)		-	2%Iomax	5%Iomax	At 100% load condition. 20 MHz BW
Output Current Ripple at < 200 Hz (pk-pk)		-	1%Iomax	-	At 70%-100% load condition. Only this component of ripple is associated with visible flicker.
Startup Overshoot Current		-	-	10%Iomax	At 100% load condition
No Load Output Voltage NFM-880S350Gx		-	-	600 V	
Line Regulation		-	-	±2.5%	100% load
Load Regulation		-	-	±5.0%	
Turn-on Delay Time		-	-	0.5 s	Measured at 0-10V/PWM/Resistor/Time/Digital/DMX-RDM dimming mode, and 277-480Vac input, 60%-100% Load
		-	-	1.0 s	Measured at DALI-2 dimming mode, and 200-480Vac input, 60%-100% Load
Temperature Coefficient of Ioset		-	0.03%/°C	-	Case temperature = 0°C ~Tc max
Auxiliary is always-on except DMX-RDM Mode <sup>(1)</sup>	12V Auxiliary Output Voltage	10.8 V	12 V	13.2 V	
	12V Auxiliary Output Source Current	0 mA	-	250 mA	Return terminal is "DA-"
	12V Auxiliary Output Transient Peak Current@6W	-	-	500 mA	500mA peak for a maximum duration of 2.2ms in a 6.0ms period during which time the average should not exceed 250mA.
	12V Auxiliary Output Transient Peak Current@10W	-	-	850 mA	850mA peak for a maximum duration of 1.3ms in a 5.2ms period during which time the average should not exceed 250mA.
DALI-2 Bus Power Supply <sup>(2)(3)</sup>	Integrated DALI-2 Bus Power Supply Voltage	12 Vdc	16 Vdc	20 Vdc	Voltage is depending on loading.
	Integrated DALI-2 Bus Power Maximum Supply Current	60 mA			
	Integrated DALI-2 Bus Power Guaranteed Supply Current	50 mA			DALI-2 Bus Power Supply Voltage ≥12V

- Notes:** (1) When driver works in DMX-RDM mode, 12V auxiliary cannot be loaded and cannot be connected to the system.  
 (2) DALI-2 bus power supply is enabled by default and can be disabled via programming interface.  
 (3) DALI-2 bus power supply supports automatic shut-down and restart after short-circuit.

## General Specifications

Parameter	Min.	Typ.	Max.	Notes
Efficiency at 220 Vac input: NFM-880S350yz				Measured at 100% load and steady-state temperature in 25°C ambient; (Efficiency will be about 2.0% lower if measured immediately after startup.)
I <sub>o</sub> = 1760 mA	94.5%	96.5%	-	
I <sub>o</sub> = 3500 mA	94.0%	96.0%	-	

## General Specifications (Continued)

Parameter	Min.	Typ.	Max.	Notes
Efficiency at 277 Vac input: NFM-880S350yz Io= 1760 mA Io= 3500 mA	95.0% 94.5%	97.0% 96.5%	- -	Measured at 100% load and steady-state temperature in 25°C ambient; (Efficiency will be about 2.0% lower if measured immediately after startup.)
Efficiency at 400 Vac input: NFM-880S350yz Io= 1760 mA Io= 3500 mA	95.0% 94.0%	97.0% 96.0%	- -	Measured at 100% load and steady-state temperature in 25°C ambient; (Efficiency will be about 2.0% lower if measured immediately after startup.)
Efficiency at 480 Vac input: NFM-880S350yz Io= 1760 mA Io= 3500 mA	95.0% 94.0%	97.0% 96.0%	- -	Measured at 100% load and steady-state temperature in 25°C ambient; (Efficiency will be about 2.0% lower if measured immediately after startup.)
Power Monitoring Accuracy	-1%	-	1%	Measured at 480Vac input and 100%Load
Standby Power	-	-	0.5 W	Measured at 230Vac/50Hz; Dimming off when Bus Power Supply is disabled
MTBF	-	228,000 Hours	-	Measured at 480Vac input, 80%load and 25°C ambient temperature (MIL-HDBK-217F)
Lifetime	-	120,000 Hours	-	Measured at 480Vac input, 80%Load and 70°C case temperature; See lifetime vs. Tc curve for the details
	-	85,000 Hours	-	Measured at 220Vac input, 100%Load and 40°C ambient temperature
Operating Case Temperature for Safety Tc_s	-40°C	-	+90°C	
Operating Case Temperature for Warranty Tc_w	-40°C	-	+80°C	Case temperature for 5 years warranty Humidity: 10% RH to 95% RH;
Storage Temperature	-40°C	-	+85°C	Humidity: 5%RH to 95%RH
Dimensions Inches (L × W × H) Millimeters (L × W × H)	9.96 × 4.25 × 1.75 253 × 108 × 44.5			With mounting ear 10.83 × 4.25 × 1.75 275 × 108 × 44.5
Net Weight	-	2352 g	-	

## Dimming Specifications

Parameter	Min.	Typ.	Max.	Notes
DALI (Default)and DMX-RDM Dimming Output Range	0.1%IoIset	-	IoIset	1760 mA ≤ IoIset ≤ 3500 mA
	1.76 mA	-	IoIset	35 mA ≤ IoIset < 17600 mA
0-10V&PWM &Resistor& Digital Dimming Dimming Output Range	1%IoIset	-	IoIset	1760 mA ≤ IoIset ≤ 3500 mA
	17.6 mA	-	IoIset	35 mA ≤ IoIset < 17600 mA
DALI Dimming Mode	DA+, DA- High Level	9.5 V	16 V	22.5 V
	DA+, DA- Low Level	-6.5 V	0 V	6.5 V
	DA+, DA- Current	0 mA	-	2 mA

## Dimming Specifications (Continued)

Parameter		Min.	Typ.	Max.	Notes
DMX-RDM Dimming Mode	DMX+ to DMX-	-6 V	-	6 V	
	DMX+ to Chassis	22M ohm	-	-	
	DMX- to Chassis	22M ohm	-	-	
	Logic 0 Input	-	-	-0.2 V	DMX+ to DMX-
	Logic 1 Input	0.2 V	-	-	DMX+ to DMX-
	Communication Baud Rate	-	250k bps	-	
0-10V&PWM Dimming Mode	Absolute Maximum Voltage on the Vdim (+) Pin	-20 V	-	20 V	
	Source Current on Vdim (+) Pin	90 uA	100 uA	110 uA	Vdim(+) = 0 V
	Recommended Dimming Input Range	0 V	-	10 V	0-10V dimming mode.
	Dim off Voltage	0.35 V	0.5 V	0.65 V	
	Dim on Voltage	0.55 V	0.7 V	0.85 V	
	Hysteresis	-	0.2 V	-	
	PWM_in High Level	3 V	-	10 V	Dimming mode set to PWM in Inventronics Programing software.
	PWM_in Low Level	-0.3 V	-	0.6 V	
	PWM_in Frequency Range	200 Hz	-	3 KHz	
	PWM_in Duty Cycle	1%	-	99%	
	PWM Dimming off (Positive Logic)	3%	5%	8%	
	PWM Dimming on (Positive Logic)	5%	7%	10%	
	PWM Dimming off (Negative Logic)	92%	95%	97%	
	PWM Dimming on (Negative Logic)	90%	93%	95%	
Hysteresis	-	2%	-		

## Safety & EMC Compliance

Safety Category	Standard
UL/CUL	UL 8750,CAN/CSA-C22.2 No. 250.13
ENEC	EN 61347-1, EN61347-2-13
CE	EN 61347-1, EN 61347-2-13 EN 301 489-1 EN 301 489-3 EN 300 330 EN 62479/EN 50663/EN 50665/EN 50364
CB	IEC 61347-1, IEC 61347-2-13

## Safety & EMC Compliance (Continued)

Safety Category	Standard	
CCC	GB 19510.1, GB 19510.14	
global-mark	AS/NZS 61347.1, AS/NZS 61347.2.13	
Performance	Standard	
ENEC	EN IEC 62384	
EMI Standards	Notes	
EN IEC 55015/ GB/T 17743 <sup>(1)</sup>	Conducted emission Test & Radiated emission Test	
EN IEC 61000-3-2/GB 17625.1	Harmonic current emissions	
EN 61000-3-3	Voltage fluctuations & flicker	
FCC Part 15 <sup>(1)</sup>	ANSI C63.4 Class B	
	This device complies with Part 15 of the FCC Rules. Operation is subject to the following two conditions: [1] this device may not cause harmful interference, and [2] this device must accept any interference received, including interference that may cause undesired operation.	
EMS Standards	Notes	
EN 61000-4-2	Electrostatic Discharge (ESD): 8 kV air discharge, 4 kV contact discharge	
EN 61000-4-3	Radio-Frequency Electromagnetic Field Susceptibility Test-RS	
EN 61000-4-4	Electrical Fast Transient / Burst-EFT	
EN 61000-4-5	AC mains	Surge Immunity Test: AC Power Line: Differential Mode 10 kV, Common Mode 10 kV
	Output	- Common Mode: 3kV Vo+ to PE, Vo- to PE - Differential Mode: 1kV (V+ to V-)
	Dimming	- Common Mode: 3kV DA+ to PE - Differential Mode: 1kV DA+ to DA-
EN 61000-4-6	Conducted Radio Frequency Disturbances Test-CS	
EN 61000-4-8	Power Frequency Magnetic Field Test	
EN 61000-4-11	Voltage Dips	
EN 61547	Electromagnetic Immunity Requirements Applies To Lighting Equipment	
DALI-2 Standards	Notes	
DALI-2 <sup>(2)</sup>	IEC 62386-101, -102 & -207	

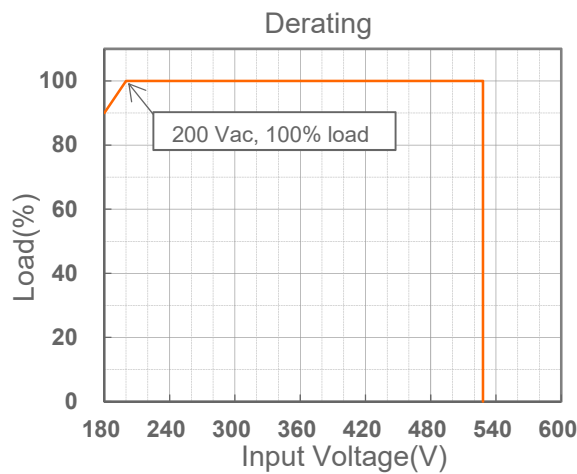
**Note:** (1) This LED driver meets the EMI specifications above, but EMI performance of a luminaire that contains it depends also on the other devices connected to the driver and on the fixture itself.

(2) DALI parts: 101, 102, 207, 250, 251, 252, 253

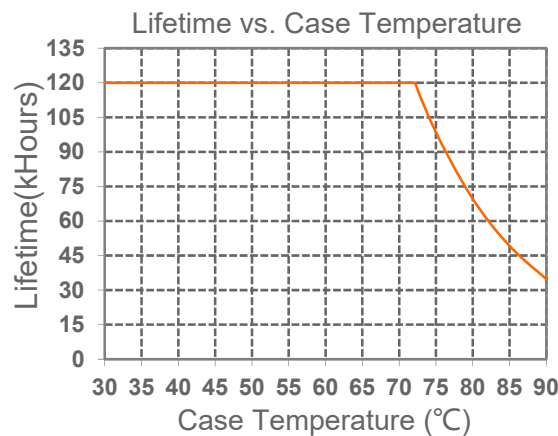
● **Isolation Levels between Different Circuits:**

	AC Input	DC Output	Dimming (SELV)	Housing
AC Input	/	No isolation	Double	Basic
DC Output	No isolation	/	Double	Basic
Dimming (SELV)	Double	Double	/	Basic
Housing	Basic	Basic	Basic	/

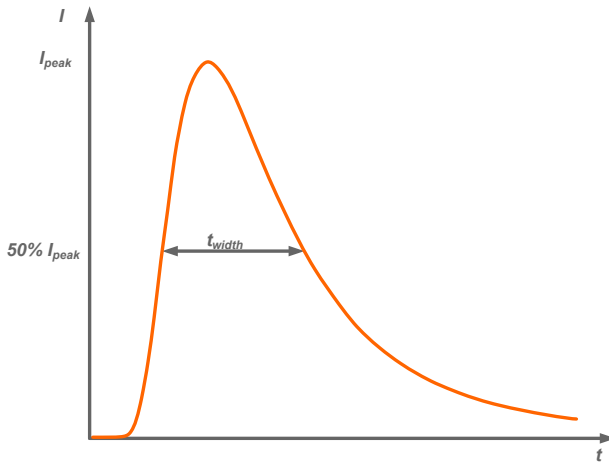
**Derating**



**Lifetime vs. Case Temperature**



## Inrush Current Waveform

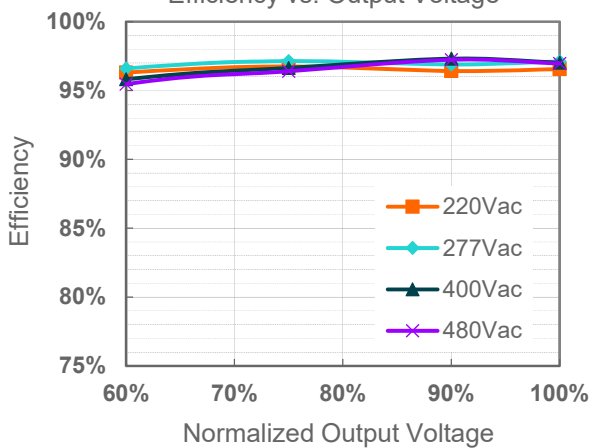


Input AC Voltage	$I_{peak}$	$t_{width}$ (@ 50% $I_{peak}$ )
220Vac	7.50 A	2.68 ms
277Vac	9.20 A	4.60 ms
400Vac	13.7 A	2.84 ms
480Vac	15.5 A	2.96 ms

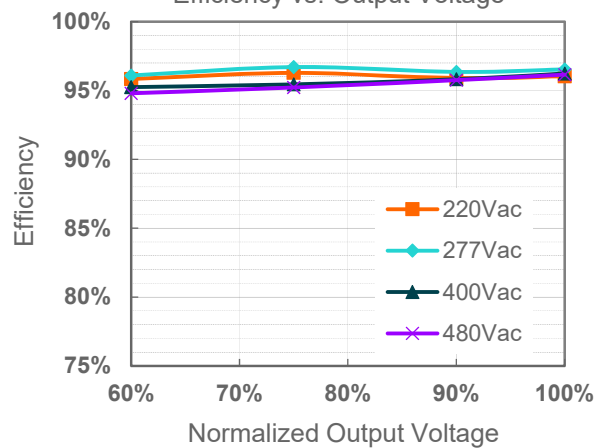
MCB	Tripping Curves	B	B	B	B	C	C	C	C
	Rated Current	10A	16A	20A	25A	10A	16A	20A	25A
The Number of LED Driver can be Configured	220Vac	1	2	2	3	1	2	3	4
	277Vac	1	2	3	4	2	3	4	5
	400Vac	1+1+1	2+2+2	2+2+2	3+3+3	1+1+1	2+2+2	3+3+3	4+4+4
	480Vac	1+1+1	2+2+2	3+3+3	4+4+4	2+2+2	3+3+3	4+4+4	5+5+5

## Efficiency vs. Load

NFM-880S350Gx( $I_o=1760mA$ )  
Efficiency vs. Output Voltage

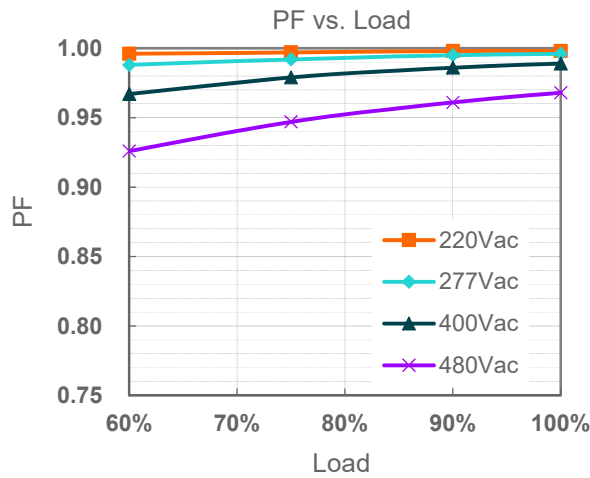


NFM-880S350Gx( $I_o=3500mA$ )  
Efficiency vs. Output Voltage

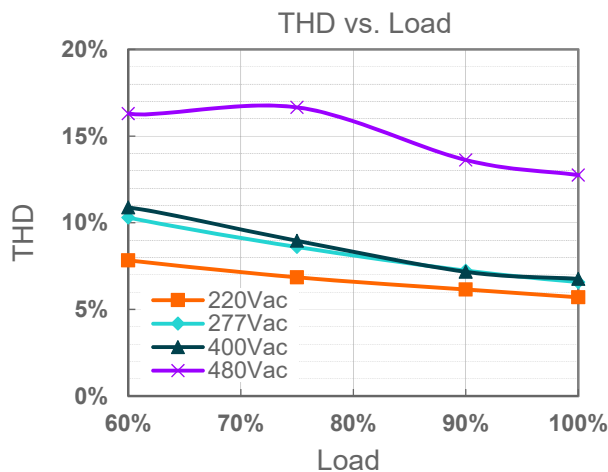




## Power Factor



## Total Harmonic Distortion



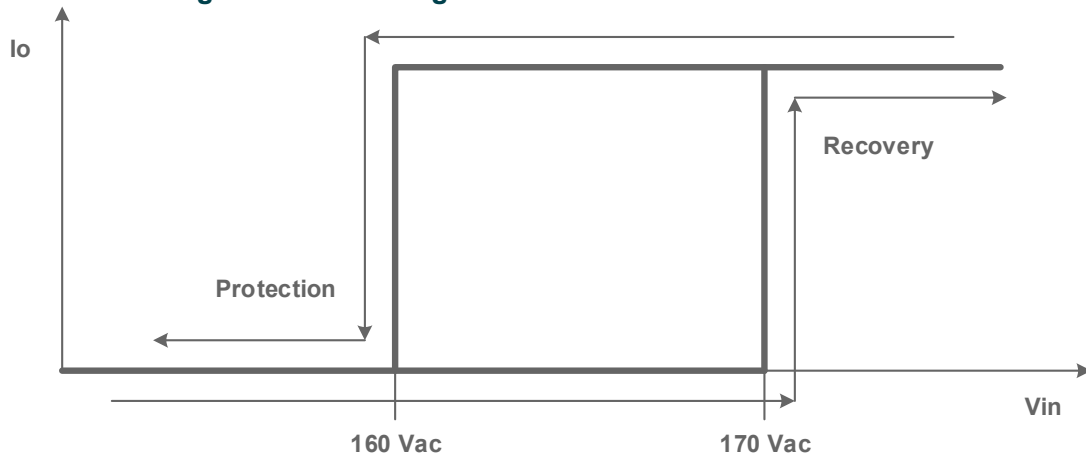
## Protection Functions

Parameter		Min.	Typ.	Max.	Notes
Over Temperature Protection		Decreases output current, returning to normal after over temperature is removed.			
Short Circuit Protection		Auto Recovery. No damage will occur when any output is short circuited. The output shall return to normal when the fault condition is removed.			
Over Voltage Protection		Limits output voltage at no load and in case the normal voltage limit fails.			
Over Power protection		Exceeds 941W (typical), the driver will decrease this channel output current automatically and shall return original current when the fault condition is removed.			
Input Under Voltage Protection (IUVP)	Input Under Voltage Protection	150 Vac	160 Vac	170 Vac	Turn off the output when the input voltage falls below protection voltage.
	Input Under Voltage Recovery	160 Vac	170 Vac	180 Vac	Auto Recovery. The driver will restart when the input voltage exceeds recovery voltage.

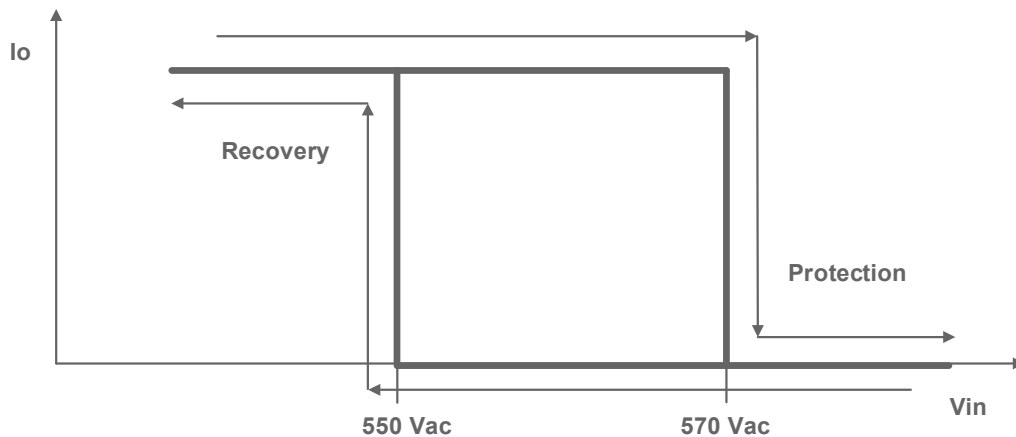
## Protection Functions (Continued)

Parameter		Min.	Typ.	Max.	Notes
Input Over Voltage Protection (IOVP)	Input Over Voltage Protection	550 Vac	570 Vac	590 Vac	Turn off the output when the input voltage exceeds protection voltage.
	Input Over Voltage Recovery	530 Vac	550 Vac	570 Vac	Auto Recovery. The driver will restart when the input voltage falls below recovery voltage.
	Max. of Input Over Voltage	-	-	590 Vac	The driver can survive for 8 hours with a stable input voltage stress of 590Vac.

### ● Input Under Voltage Protection Diagram

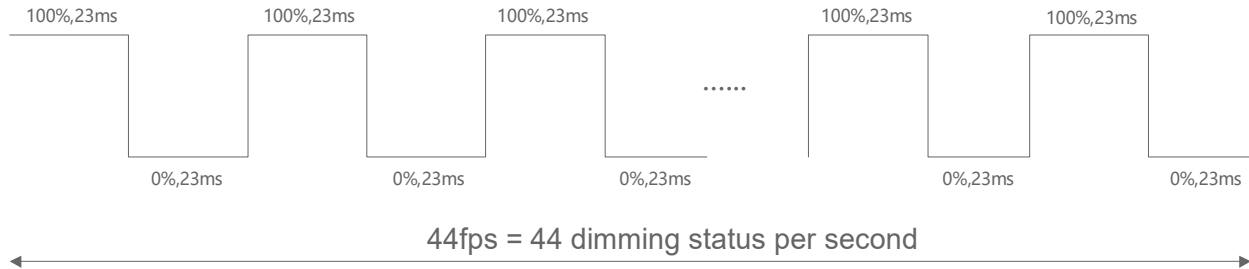


### ● Input Over Voltage Protection Diagram



## ● Strobe function

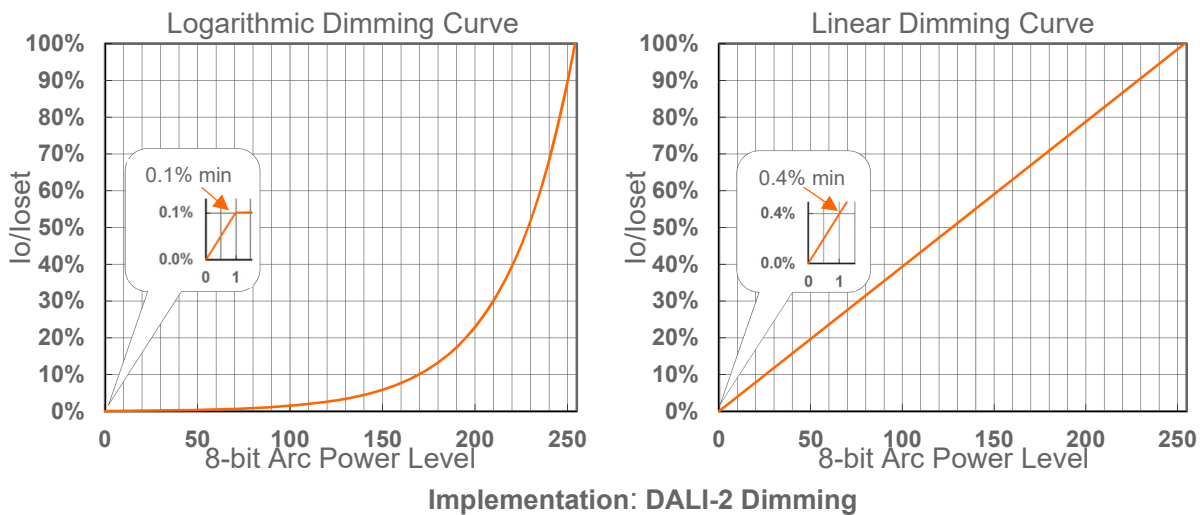
This driver supports strobe function up to 44 fps from 100% dimming to 0% change forth and back. In order to protect relays reliability, the relays will still keep 3s 'ON' status when receiving the dim-to-off command and then enter "OFF" status' without receiving dimming ON command, but it will immediately operates back to "ON" status if receiving the dimming on command, so the relays will not operate 'ON' and 'OFF' frequently in fast strobe operation within 3s duration time in default mode. The default 3s can be adjusted by programming interface or commands.



## Dimming

### ● DALI-2 Dimming

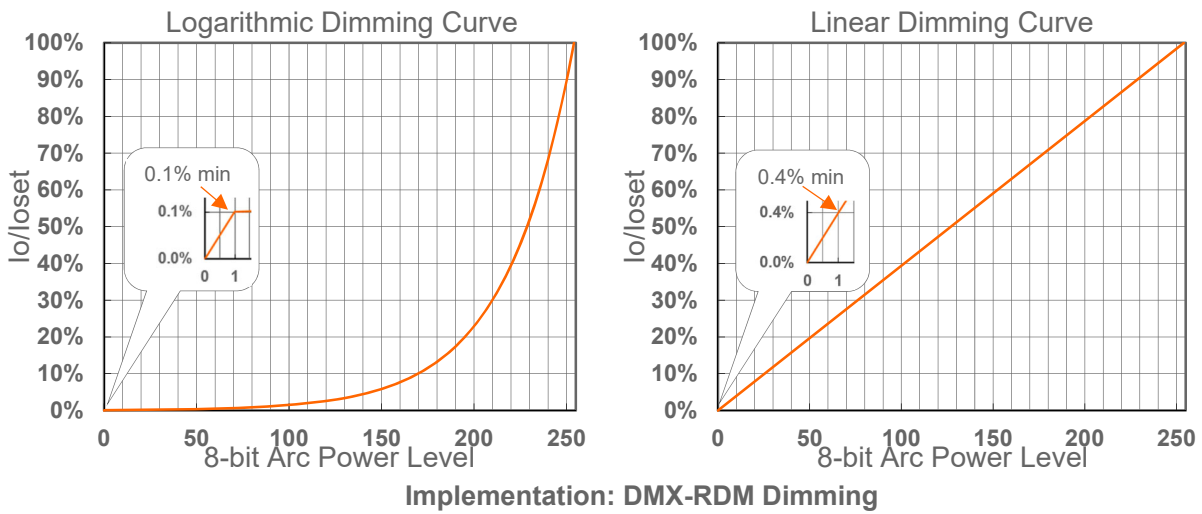
The recommended implementation of the dimming control is provided below.



### Dimming (DMX-RDM Dimming Mode)

#### ● DMX-RDM Dimming

The recommended implementation of the dimming control is provided below.



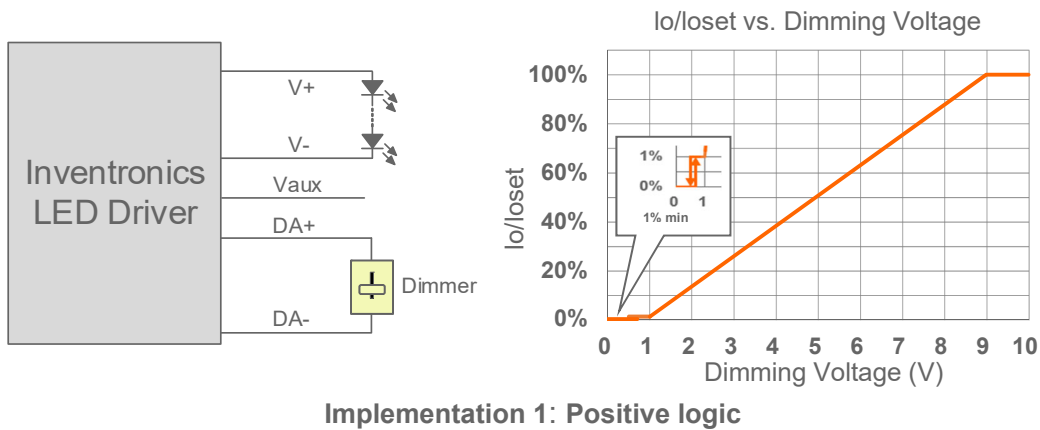
**Notes:**

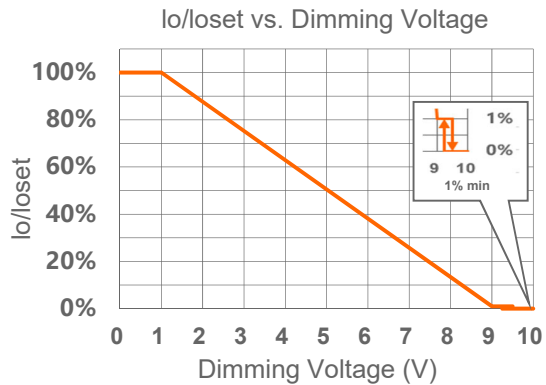
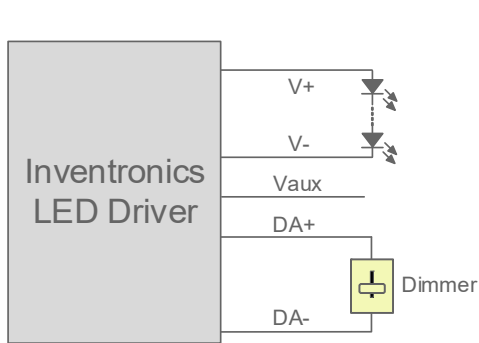
1. The compatible on control system list please refer to: [DMX-RDM Dimming Compatible Controller System List](#).
2. Up to 32 drivers may be daisy-chained, terminated by a 120-ohm resistor (connected between DMX+ & DMX- at the last driver)
3. 300m maximum length between driver and master
4. 100m maximum between drivers
5. For best performance, a characteristic impedance of 120 ohms should be maintained for the entire length of the control line.

## Dimming (0-10V&PWM&Resistor Dimming Mode)

### ● 0-10V Dimming

The recommended implementation of the dimming control is provided below.





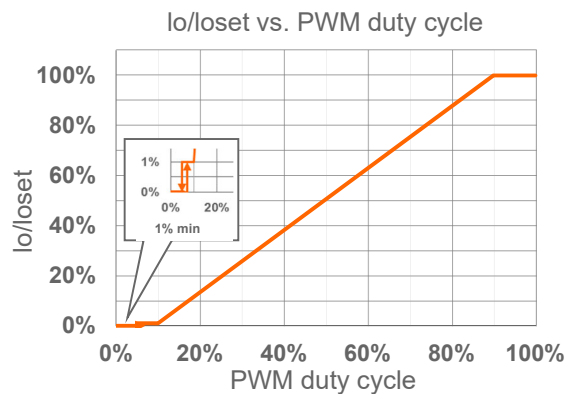
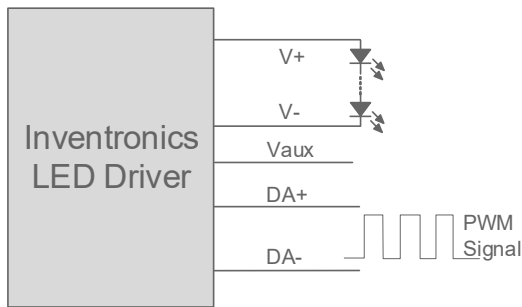
**Implementation 2: Negative logic**

**Notes:**

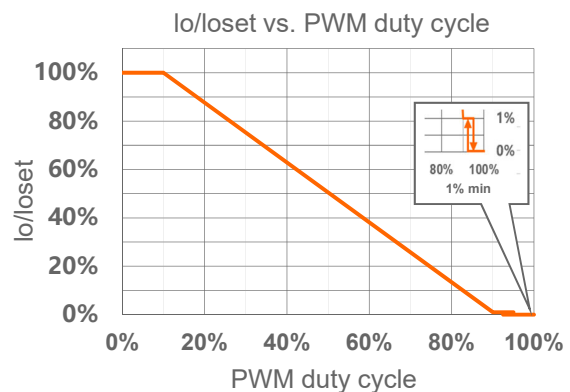
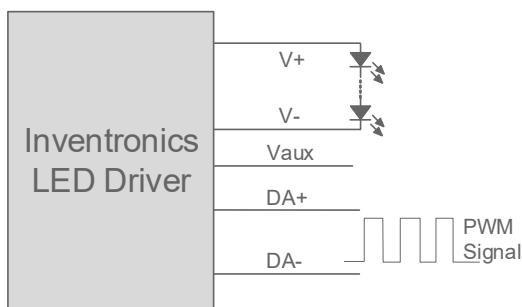
1. Do NOT connect DA- to the output V- or V+, otherwise the driver will not work properly.
2. The dimmer can also be replaced by an active 0-10V voltage source signal or passive components like zener.
3. When 0-10V negative logic dimming mode and DA+ is open, the driver will dim to off and be standby.

**● PWM Dimming**

The recommended implementation of the dimming control is provided below.



**Implementation 3: Positive logic**



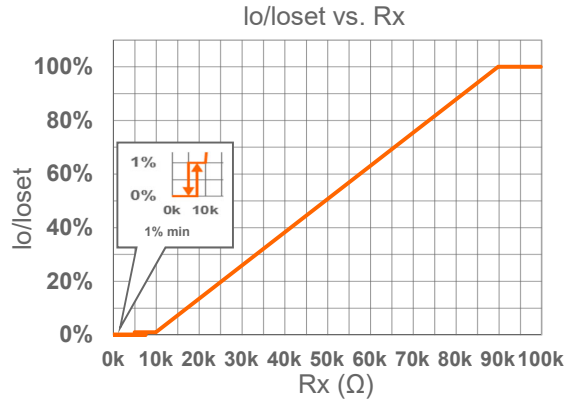
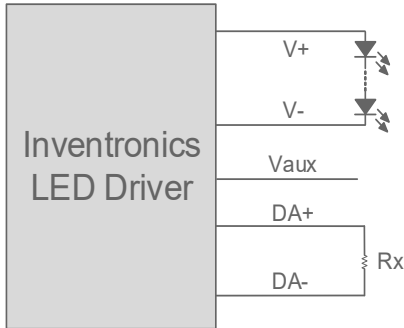
**Implementation 4: Negative logic**

**Notes:**

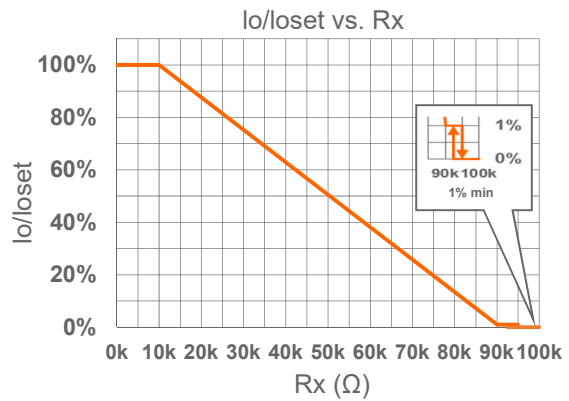
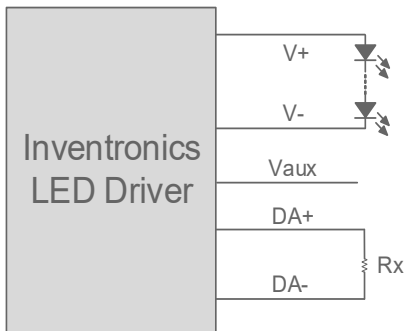
1. Do NOT connect DA- to the output V- or V+, otherwise the driver will not work properly.
2. When PWM negative logic dimming mode and DA+ is open, the driver will dim to off and be standby.

## ● Resistor Dimming

The recommended implementation of the dimming control is provided below.



Implementation 5: Positive logic



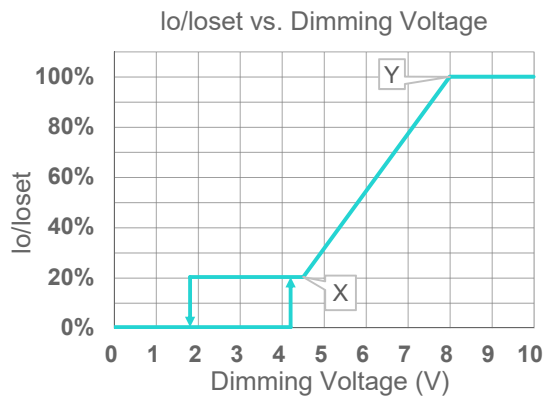
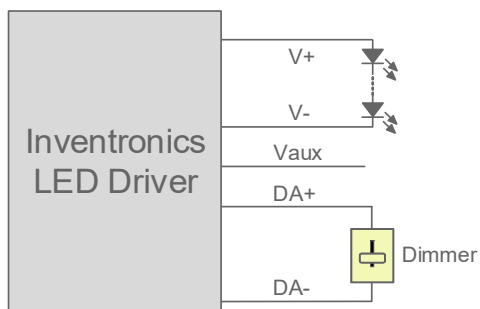
Implementation 6: Negative logic

### Notes:

1. Do NOT connect DA- to the output V- or V+, otherwise the driver will not work properly.
2. When resistor negative logic dimming mode and DA+ is open, the driver will dim to off and be standby.

## ● Adjustable Dimming Curve

0-10V dimming curve can be set as corresponding dimming voltage by Inventronics Multi Programmer. Take the positive logic dimming mode as an example, the recommended implementation of the dimming control is provided below.



Implementation 7: Positive logic

**Notes:**

1. Do NOT connect DA- to the output V- or V+, otherwise the driver will not work properly.
2. The dimmer can also be replaced by an active 0-10V voltage source signal or passive components like zener.
3. When dimming voltage X point is set to be smaller than Y point, the dimming curve is positive logic; conversely, when X point is set to be bigger than Y point, the dimming curve is negative logic.
4. For best dimming accuracy, the difference between X point and Y point is advised more than 4V.
5. Dimming off voltage Adjustable.

## ● Time Dimming

Time dimming control includes 3 kinds of modes, they are Self Adapting-Midnight, Self Adapting-Percentage and Traditional Timer.

- **Self Adapting-Midnight:** Automatically adjusts the dimming curve based on the on-time of past two days (if difference <15 minutes), assuming that the center point of the dimming curve is midnight local time.
- **Self Adapting-Percentage:** Automatically adjusts the on-time of each step by a constant percentage = (actual on-time for the past 2 days if difference <15 min) / (programmed on-time from the dimming curve).
- **Traditional Timer:** Follows the programmed timing curve after power on with no changes.

## ● Output Lumen Compensation

Output Lumen Compensation (OLC) may be used to maintain constant light output over the life of the LEDs by driving them at a reduced current when new, then gradually increasing the drive current over time to counteract LED lumen degradation.

## ● Hold Time Adjustable

When AC power is first applied to the LED driver, enabling a “Hold” period can allow devices powered by the Auxiliary voltage to stabilize before the driver fades up to the maximum dimming level. During this period, the driver will not respond to external dimming commands but will respond again after the hold time ends. Both the initial dimming percentage and the duration of this hold period can be adjusted by the Inventronics Multi Programmer. This function is disabled by default

## ● Fade Time Adjustable

There is a “Fade” period after the “Hold” period. The soft-start time and dimming slope applied to all dimming transitions can be adjusted individually. It is adjusted by the Inventronics Multi Programmer. This function is disabled by default.

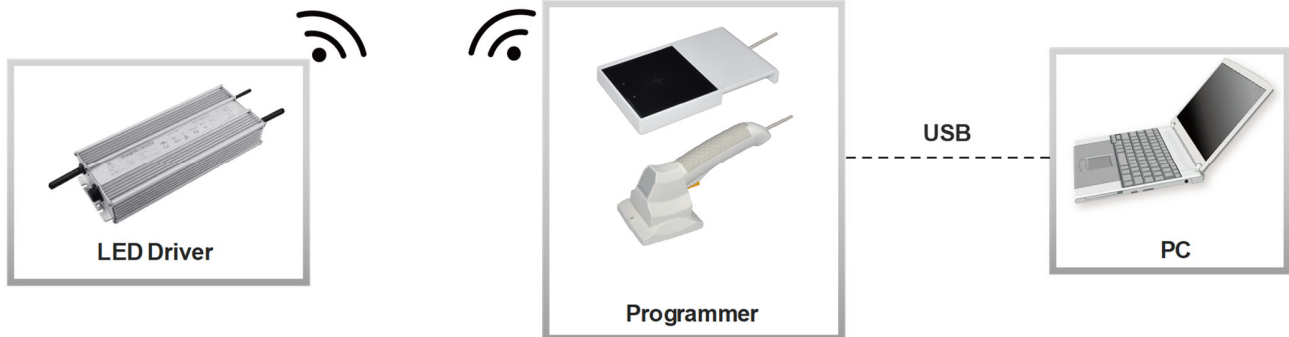
## ● End Of Life

End-of-Life (EOL) is providing a visual notification to a user that the LED module has reached the end of manufacturer-specified life and that the replacement is recommended. Once active, an indication is given at each power-up of the driver, which the driver indicates this through a lower light output during the first 1 minute before normal operation is continued.

## ● Digital Dimming

Inventronics Digital Dimming is a UART (Universal Asynchronous Receive Transmitter) based communication protocol. Please refer to [Inventronics Digital Dimming](#) file for details.

## Programming Connection Diagram

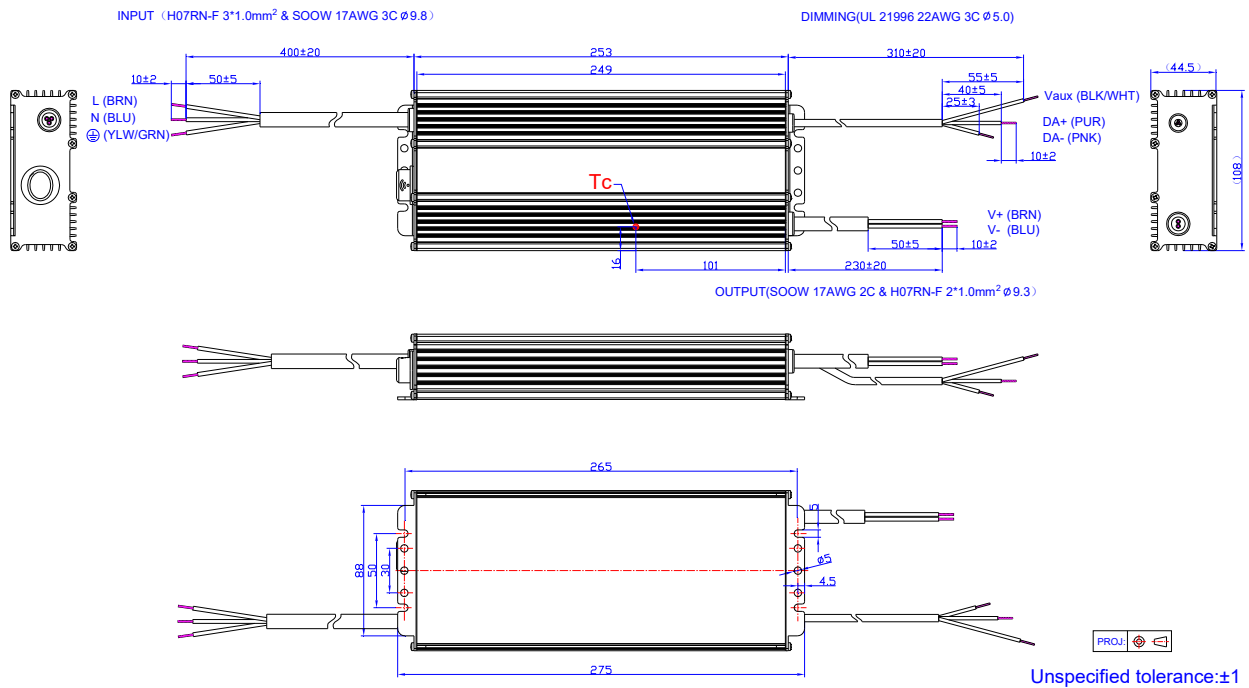


**Note:** The driver does not need to be powered on during the programming process.

- Please refer to [PRG-NFC-H](#) or [PRG-NFC-D2](#) (Programmer) datasheet for details.

## Mechanical Outline

NFM-880SxxxGG







### Revision History

Change Date	Rev.	Description of Change		
		Item	From	To
2024-09-03	A	Datasheet Release	/	/