

Features

- Full Power at Wide Output Current Range (Constant Power)
- Adjustable Output Current (AOC) with NFC
- DALI-2 and D4i Certified
- 3-Timer-Modes Dimmable
- Dim-to-Off with Standby Power ≤ 0.5 W
- Always-on Auxiliary Power: 24Vdc, 125mA, 3W (Transient Peak Power up to 10W)
- Integrated 16Vdc current source power supply based on DALI-2
- Integrated Power Monitoring with High Accuracy up to $\pm 1\%$
- Output Lumen Compensation
- End-of-Life Indicator
- Thermal Sensing and Protection for LED Module
- Input Surge Protection: DM 6kV, CM 10kV
- All-Around Protection: IUVP, IOVP, OVP, SCP, OTP
- IP66/IP67 and UL Dry/Damp/Wet Location
- TYPE HL, for use in a Class I, Division 2 hazardous (Classified) location
- 7 Years Warranty



Description

The EUM-320SxxxBx series is a 320W, constant-current, NFC programmable and IP66/IP67 rated LED driver that operates from 90-305Vac input with excellent power factor. Created for intra-luminaire solutions and health monitoring applications, this family provides integrated AC power monitoring with an auxiliary voltage and dim-to-off functionality for powering low voltage, wireless controls. The dimming control supports two-way communication via DALI-2 and complies with D4i. The high efficiency of these drivers and compact metal case enables them to run cooler, significantly improving reliability and extending product life. To ensure trouble-free operation, protection is provided against input surge, input under voltage, input over voltage, output over voltage, short circuit, and over temperature.

Models

Adjustable Output Current Range	Full-Power Current Range (1)	Default Output Current	Input Voltage Range(2)	Output Voltage Range	Max. Output Power	Typical Efficiency (3)	Typical Power Factor		Model Number (5)
							120Vac	220Vac	
70-1050mA	700-1050mA	700 mA	90~305 Vac/ 127~300 Vdc	153~457 Vdc	320 W	94.5%	0.99	0.96	EUM-320S105Bx
105-1500mA	1050-1500mA	1400 mA	90~305 Vac/ 127~300 Vdc	107~305 Vdc	320 W	94.0%	0.99	0.96	EUM-320S150Bx
175-2500mA	1750-2500mA	2100 mA	90~305 Vac/ 127~300 Vdc	64~183 Vdc	320 W	94.0%	0.99	0.96	EUM-320S250Bx
285-5000mA	2850-5000mA	4900 mA	90~305 Vac/ 127~300 Vdc	32~112 Vdc	320 W	93.5%	0.99	0.96	EUM-320S500Bx ⁽⁴⁾
535-7600mA	5350-7600mA	6700 mA	90~305 Vac/ 127~300 Vdc	21 ~ 60 Vdc	320 W	92.5%	0.99	0.96	EUM-320S760Bx ⁽⁴⁾

Notes: (1) Output current range with constant power at 320W.

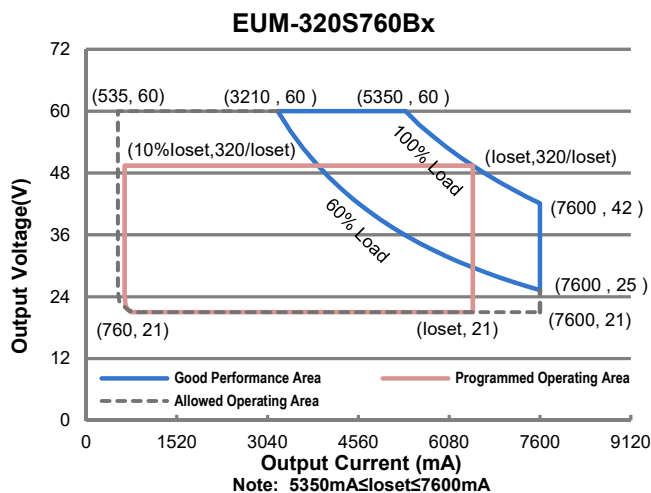
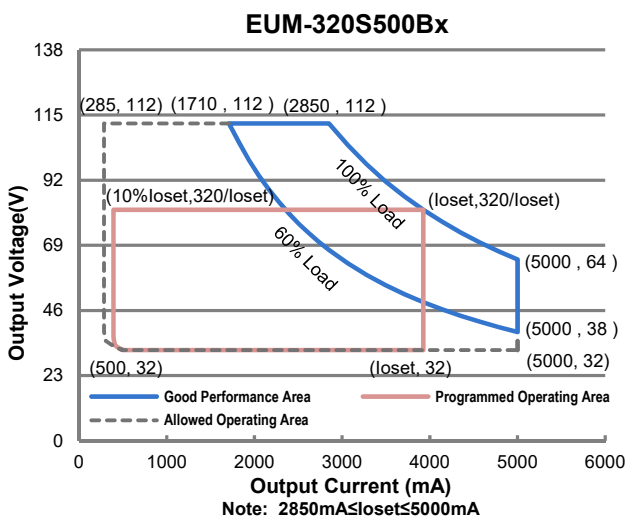
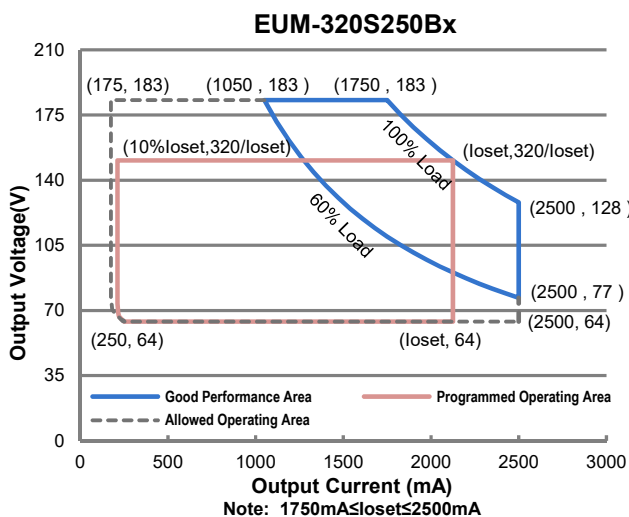
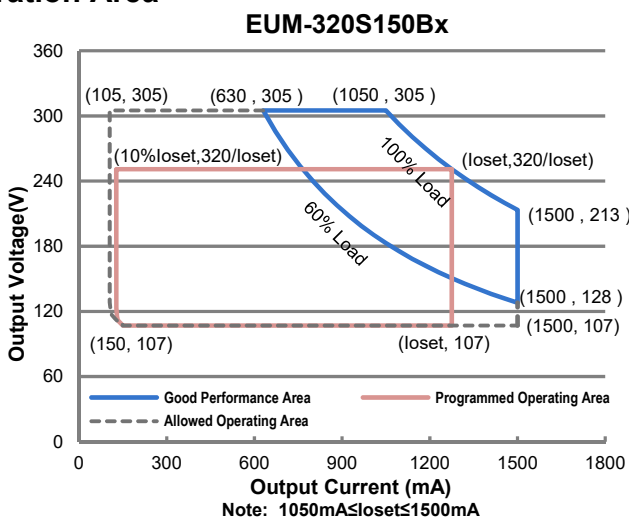
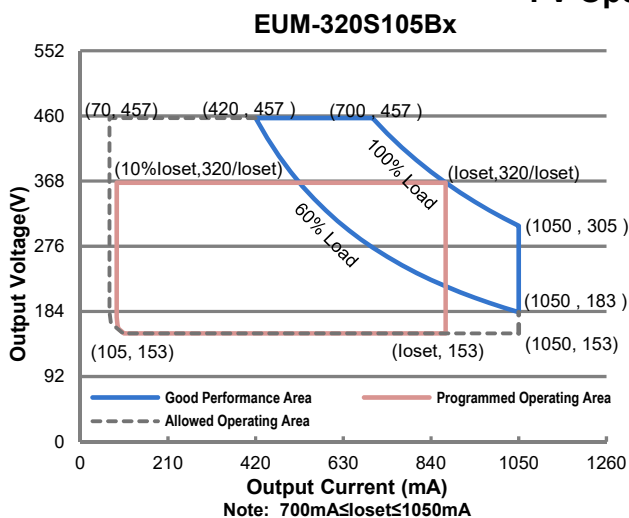
(2) Certified input voltage range: UL, FCC 100-277Vac; otherwise 100-240Vac.

(3) Measured at 100% load and 220Vac input (see below "General Specifications" for details).

(4) SELV Output.

(5) x = G are UL Recognized, ENEC and CCC, etc. models; x = T are UL Class P models; x = B are BIS models.

I-V Operation Area



Input Specifications

Parameter	Min.	Typ.	Max.	Notes
Input AC Voltage	90 Vac	-	305 Vac	
Input DC Voltage	127 Vdc	-	300 Vdc	
Input Frequency	47 Hz	-	63 Hz	
Leakage Current	-	-	0.75 MIU	UL 8750; 277Vac/60Hz
	-	-	0.70 mA	IEC 60598-1; 240Vac/60Hz
Input AC Current	-	-	3.29 A	Measured at 100% load and 120 Vac input.
	-	-	1.77 A	Measured at 100% load and 220 Vac input.
Inrush Current(I _{2t})	-	-	0.77 A ² s	At 220Vac input, 25°C cold start, duration=6.72 ms, 10%I _{pk} -10%I _{pk} . See Inrush Current Waveform for the details.
PF	0.9	-	-	At 100-277Vac, 50-60Hz, 60%-100% Load (192-320W)
THD	-	-	20%	
THD	-	-	10%	At 220-240Vac, 50-60Hz, 75%-100% Load (240-320W)

Output Specifications

Parameter	Min.	Typ.	Max.	Notes
Output Current Tolerance	-5%loset	-	5%loset	At 100% load condition
Output Current Setting(loset) Range				
EUM-320S105Bx	70 mA	-	1050 mA	
EUM-320S150Bx	105 mA	-	1500 mA	
EUM-320S250Bx	175 mA	-	2500 mA	
EUM-320S500Bx	285 mA	-	5000 mA	
EUM-320S760Bx	535 mA	-	7600 mA	
Output Current Setting Range with Constant Power				
EUM-320S105Bx	700 mA	-	1050 mA	
EUM-320S150Bx	1050 mA	-	1500 mA	
EUM-320S250Bx	1750 mA	-	2500 mA	
EUM-320S500Bx	2850 mA	-	5000 mA	
EUM-320S760Bx	5350 mA	-	7600 mA	
Total Output Current Ripple (pk-pk)	-	5%I _{omax}	10%I _{omax}	At 100% load condition. 20 MHz BW
Output Current Ripple at < 200 Hz (pk-pk)	-	2%I _{omax}	-	At 100% load condition. Only this component of ripple is associated with visible flicker.
Startup Overshoot Current	-	-	10%I _{omax}	At 100% load condition
No Load Output Voltage				
EUM-320S105Bx	-	-	550 V	
EUM-320S150Bx	-	-	380 V	
EUM-320S250Bx	-	-	230 V	
EUM-320S500Bx	-	-	120 V	
EUM-320S760Bx	-	-	70 V	

Output Specifications (Continued)

Parameter	Min.	Typ.	Max.	Notes
Line Regulation	-	-	±0.5%	Measured at 100% load
Load Regulation	-	-	±3.0%	
Turn-on Delay Time	-	-	0.5 s	Measured at all dimming modes except DALI-2, and 120-277Vac input, 60%-100% Load
	-	-	1.0 s	Measured at DALI-2 dimming mode, and 120-277Vac input, 60%-100% Load
Temperature Coefficient of I _o set	-	0.03%/°C	-	Case temperature = 0°C ~T _c max
24V Auxiliary Output Voltage	21.6 V	24 V	26.4 V	
24V Auxiliary Output Source Current	0 mA	-	125 mA	Return terminal is "DA"
24V Auxiliary Output Transient Peak Current@6W	-	-	250 mA	250mA peak for a maximum duration of 2.2 ms in a 6.0ms period during which time the average should not exceed 125mA.
24V Auxiliary Output Transient Peak Current@10W	-	-	425 mA	425mA peak for a maximum duration of 1.3 ms in a 5.2ms period during which time the average should not exceed 125mA.
Integrated DALI-2 Bus Power Supply Voltage	12 Vdc	16 Vdc	20 Vdc	Voltage is depending on loading.
Integrated DALI-2 Bus Power Maximum Supply Current	60 mA			
Integrated DALI-2 Bus Power Guaranteed Supply Current	50 mA			DALI-2 Bus Power Supply Voltage ≥12V

Notes: (1) DALI-2 bus power supply is enabled by default and can be disabled via programming interface.
 (2) DALI-2 bus power supply supports automatic shut-down and restart after short-circuit.

General Specifications

Parameter	Min.	Typ.	Max.	Notes
Efficiency at 120 Vac input:				
EUM-320S105Bx				
I _o = 700 mA	90.0%	92.0%	-	Measured at 100% load and steady-state temperature in 25°C ambient; (Efficiency will be about 2.0% lower if measured immediately after startup.)
I _o =1050 mA	90.0%	92.0%	-	
EUM-320S150Bx				
I _o =1050 mA	90.0%	92.0%	-	
I _o =1500 mA	90.0%	92.0%	-	
EUM-320S250Bx				
I _o =1750 mA	90.0%	92.0%	-	
I _o =2500 mA	90.0%	92.0%	-	
EUM-320S500Bx				
I _o =2850 mA	89.5%	91.5%	-	
I _o =5000 mA	88.0%	90.0%	-	
EUM-320S760Bx				
I _o =5350 mA	88.5%	90.5%	-	
I _o =7600 mA	88.0%	90.0%	-	

General Specifications (Continued)

Parameter	Min.	Typ.	Max.	Notes
Efficiency at 220 Vac input: EUM-320S105Bx				Measured at 100% load and steady-state temperature in 25°C ambient; (Efficiency will be about 2.0% lower if measured immediately after startup.)
Io= 700 mA	92.5%	94.5%	-	
Io=1050 mA	92.5%	94.5%	-	
EUM-320S150Bx				
Io=1050 mA	92.0%	94.0%	-	
Io=1500 mA	92.0%	94.0%	-	
EUM-320S250Bx				
Io=1750 mA	92.0%	94.0%	-	
Io=2500 mA	92.0%	94.0%	-	
EUM-320S500Bx				
Io=2850 mA	91.5%	93.5%	-	
Io=5000 mA	90.0%	92.0%	-	
EUM-320S760Bx				
Io=5350 mA	90.5%	92.5%	-	
Io=7600 mA	90.0%	92.0%	-	
Efficiency at 277 Vac input: EUM-320S105Bx				Measured at 100% load and steady-state temperature in 25°C ambient; (Efficiency will be about 2.0% lower if measured immediately after startup.)
Io= 700 mA	92.5%	94.5%	-	
Io=1050 mA	92.5%	94.5%	-	
EUM-320S150Bx				
Io=1050 mA	92.5%	94.5%	-	
Io=1500 mA	92.5%	94.5%	-	
EUM-320S250Bx				
Io=1750 mA	92.5%	94.5%	-	
Io=2500 mA	92.5%	94.5%	-	
EUM-320S500Bx				
Io=2850 mA	92.0%	94.0%	-	
Io=5000 mA	90.5%	92.5%	-	
EUM-320S760Bx				
Io=5350 mA	91.0%	93.0%	-	
Io=7600 mA	90.0%	92.0%	-	
Power Metering Accuracy	-1%	-	1%	Measured at 220Vac input and 100%Load
Standby Power	-	-	0.5 W	Measured at 230Vac/50Hz; Dimming off
MTBF	-	231,000 Hours	-	Measured at 220Vac input, 80%Load and 25°C ambient temperature (MIL-HDBK-217F)
Lifetime	-	112,000 Hours	-	Measured at 220Vac input, 80%Load and 70°C case temperature; See lifetime vs. Tc curve for the details
Operating Case Temperature for Safety Tc_s	-40°C	-	+90°C	
Operating Case Temperature for Warranty Tc_w	-40°C	-	+75°C	Case temperature for 7 years warranty Humidity: 10% RH to 95% RH
Storage Temperature	-40°C	-	+85°C	Humidity: 5%RH to 95%RH
Dimensions Inches (L × W × H) Millimeters (L × W × H)	8.82 × 3.15 × 1.75 224 × 80 × 44.5			With mounting ear 9.57 × 3.15 × 1.75 243 × 80 × 44.5
Net Weight	-	1520 g	-	

Dimming Specifications

Parameter		Min.	Typ.	Max.	Notes
DA+, DA- High Level		9.5V	16V	22.5V	
DA+, DA- Low Level		-6.5V	0V	6.5V	
DA+, DA- Current		0mA	-	2mA	
Dimming Output Range	EUM-320S105Bx EUM-320S150Bx EUM-320S250Bx EUM-320S500Bx EUM-320S760Bx	10%loset	-	loset	700 mA ≤ loset ≤ 1050 mA 1050 mA ≤ loset ≤ 1500 mA 1750 mA ≤ loset ≤ 2500 mA 2850 mA ≤ loset ≤ 5000 mA 5350 mA ≤ loset ≤ 7600 mA
	EUM-320S105Bx EUM-320S150Bx EUM-320S250Bx EUM-320S500Bx EUM-320S760Bx	70 mA 105 mA 175 mA 285 mA 535 mA	-	loset	70 mA ≤ loset < 700 mA 105 mA ≤ loset < 1050 mA 175 mA ≤ loset < 1750 mA 285 mA ≤ loset < 2850 mA 535 mA ≤ loset < 5350 mA

Safety & EMC Compliance

Safety Category	Standard
UL/CUL	UL 8750,CAN/CSA-C22.2 No. 250.13
ENEC	EN 61347-1, EN 61347-2-13
UKCA	BS EN 61347-1, BS EN 61347-2-13 BS EN 301 489-1 BS EN 301 489-3 BS EN 300 330 BS EN 62479/BS EN 50663/BS EN 50665/BS EN 50364
CE	EN 61347-1, EN 61347-2-13 EN 301 489-1 EN 301 489-3 EN 300 330 EN 62479/EN 50663/EN 50665/EN 50364
CB	IEC 61347-1, IEC 61347-2-13
CCC	GB 19510.1, GB 19510.14
PSE	J 61347-1, J 61347-2-13
KC	K 61347-1, K 61347-2-13
BIS	IS 15885(Part2/Sec13)
NOM	NOM-058-SCFI
EAC	TP TC 004, TP TC 020
global-mark	AS/NZS 61347.1, AS/NZS 61347.2.13
Performance	Standard
ENEC	EN 62384

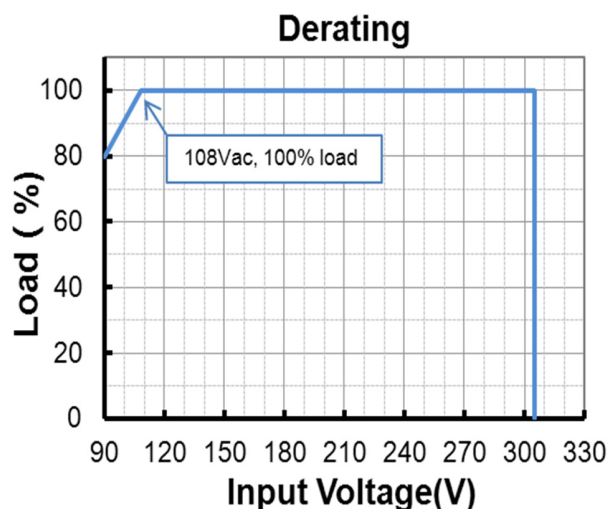
Safety & EMC Compliance (Continued)

EMI Standards	Notes
BS EN/EN IEC 55015/GB/T 17743/KN 15 ⁽¹⁾	Conducted emission Test & Radiated emission Test
BS EN/EN IEC 61000-3-2/GB 17625.1	Harmonic current emissions
BS EN/EN 61000-3-3	Voltage fluctuations & flicker
FCC Part 15 ⁽¹⁾	ANSI C63.4 Class B
	This device complies with Part 15 of the FCC Rules. Operation is subject to the following two conditions: [1] this device may not cause harmful interference, and [2] this device must accept any interference received, including interference that may cause undesired Operation.
EMS Standards	Notes
BS EN/EN 61000-4-2	Electrostatic Discharge (ESD): 8 kV air discharge, 4 kV contact discharge
BS EN/EN 61000-4-3	Radio-Frequency Electromagnetic Field Susceptibility Test-RS
BS EN/EN 61000-4-4	Electrical Fast Transient / Burst-EFT
BS EN/EN 61000-4-5	Surge Immunity Test: AC Power Line: Differential Mode 6 kV, Common Mode 10 kV
BS EN/EN 61000-4-6	Conducted Radio Frequency Disturbances Test-CS
BS EN/EN 61000-4-8	Power Frequency Magnetic Field Test
BS EN/EN 61000-4-11	Voltage Dips
BS EN/EN 61547	Electromagnetic Immunity Requirements Applies To Lighting Equipment
DALI-2 Standards	Notes
DALI-2 ⁽²⁾	IEC 62386-101, -102 & -207

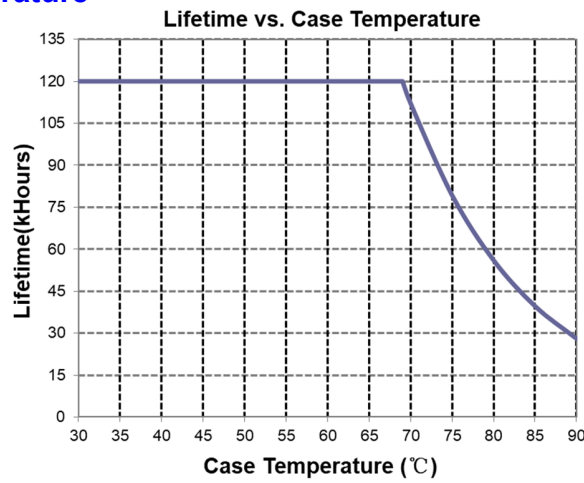
Note: (1) This LED driver meets the EMI specifications above, but EMI performance of a luminaire that contains it depends also on the other devices connected to the driver and on the fixture itself.

(2) DALI Parts: 101, 102, 150, 207, 250, 251, 252, 253.

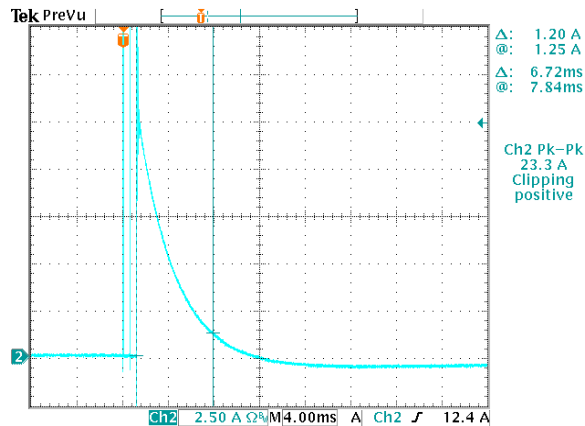
Derating



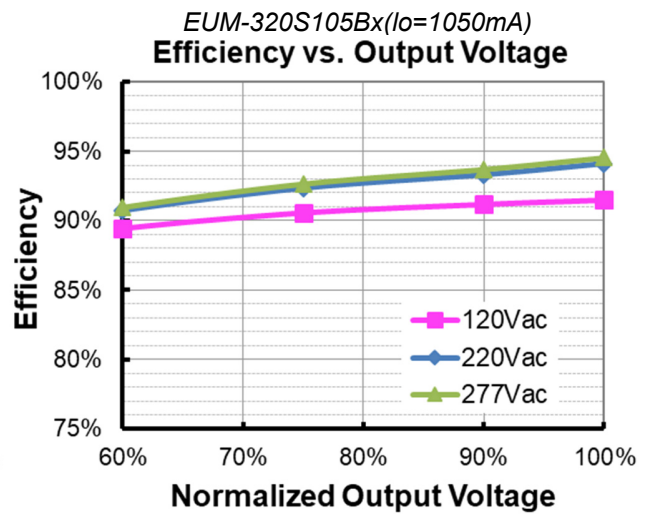
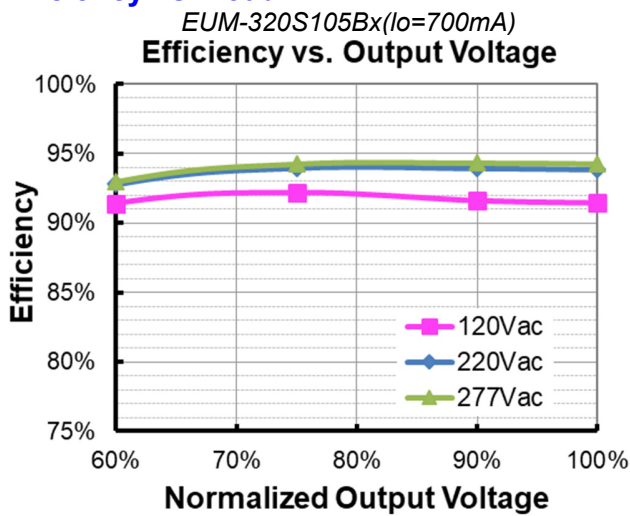
Lifetime vs. Case Temperature

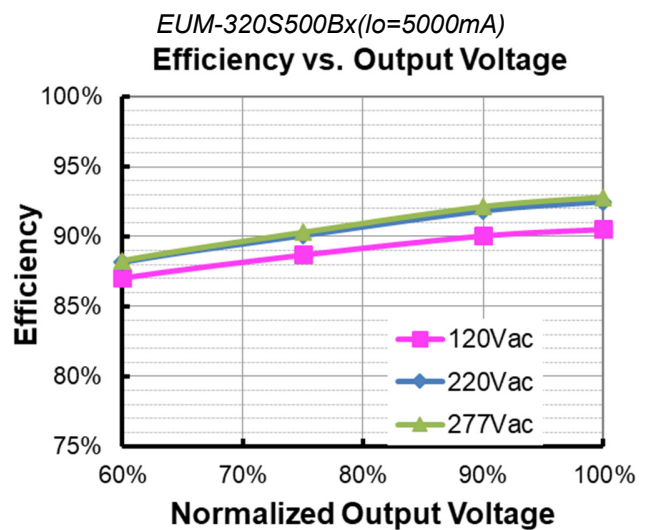
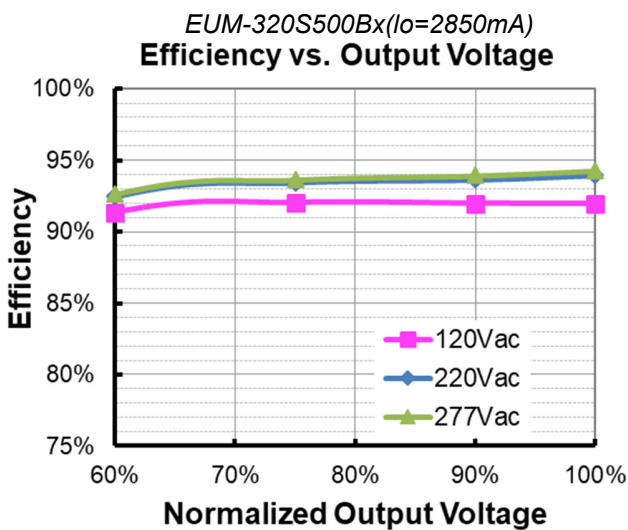
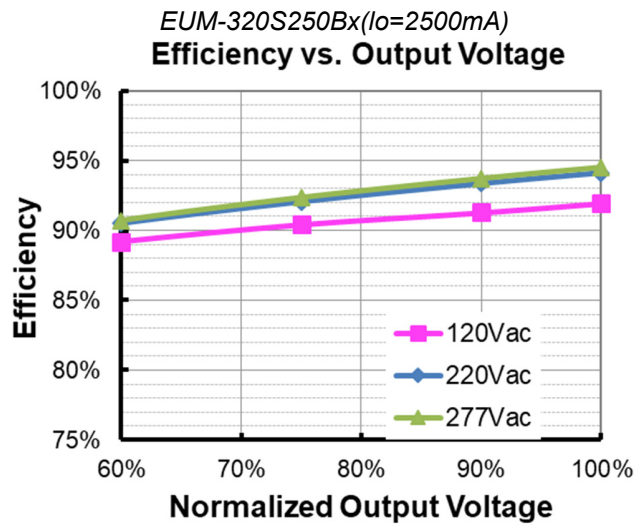
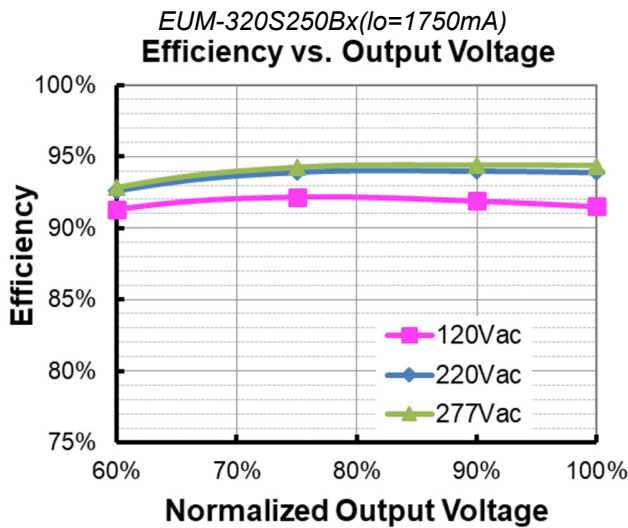
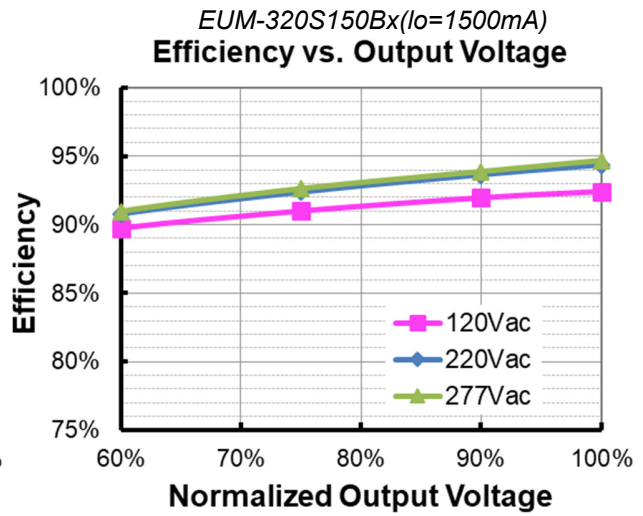
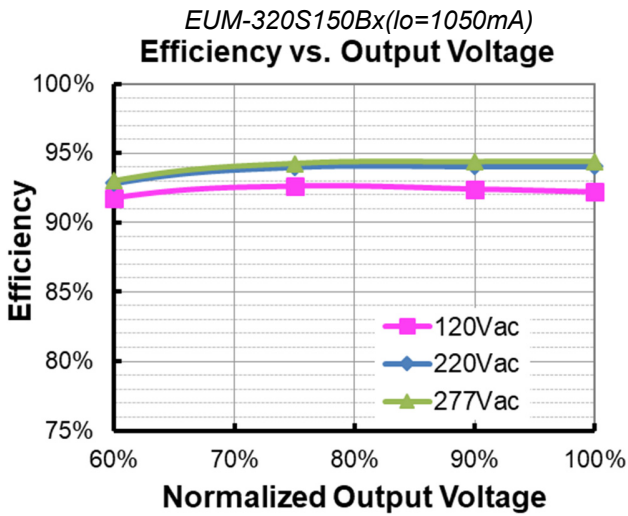


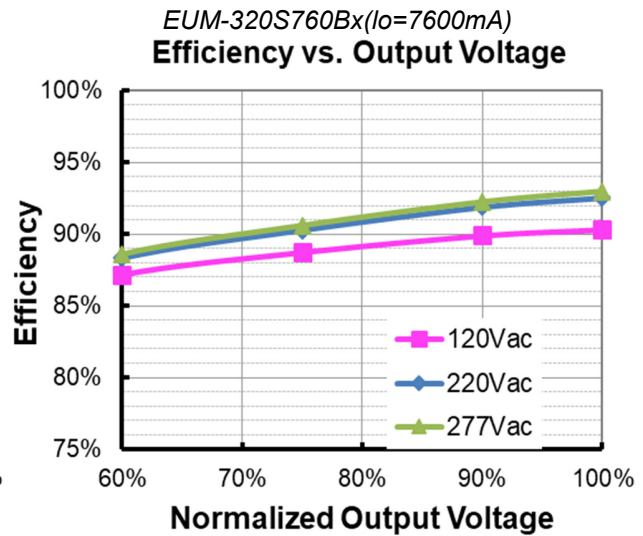
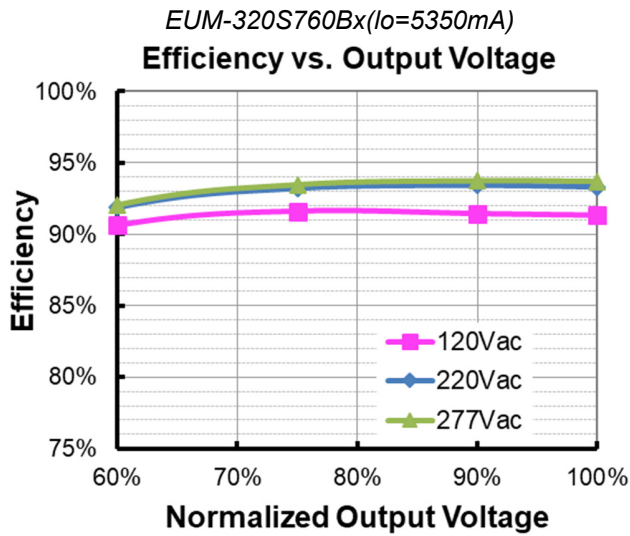
Inrush Current Waveform



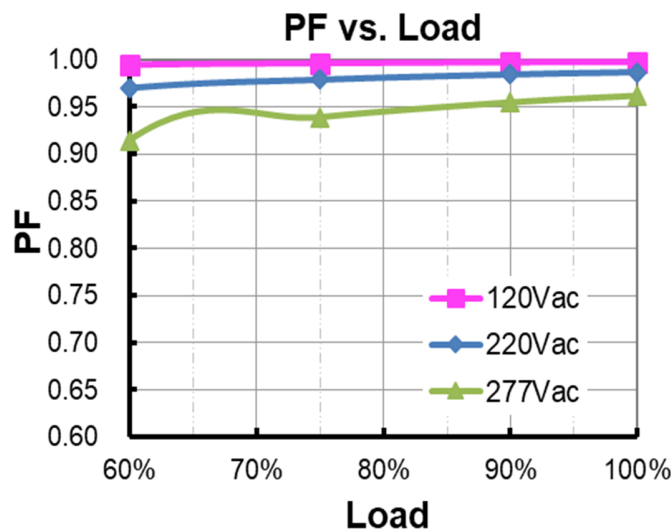
Efficiency vs. Load



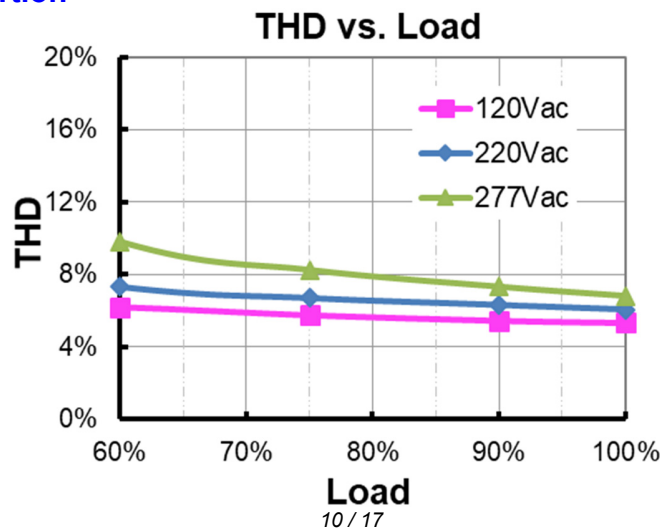




Power Factor



Total Harmonic Distortion

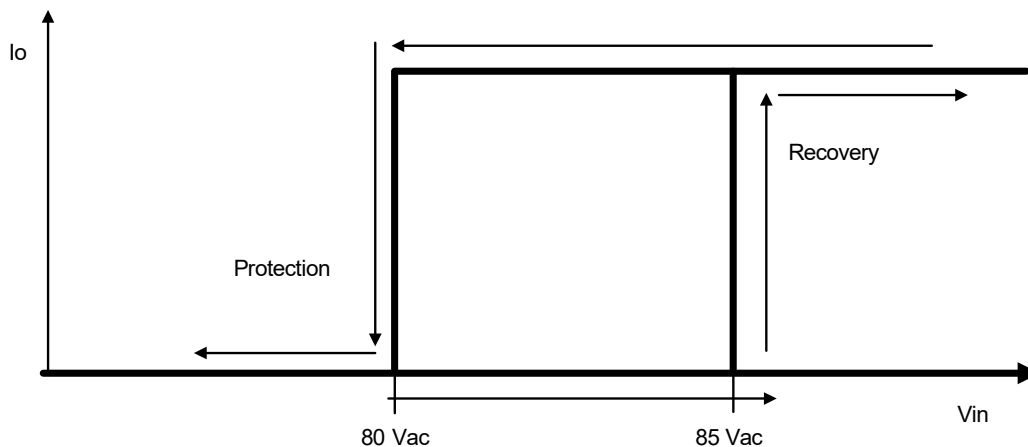


Protection Functions

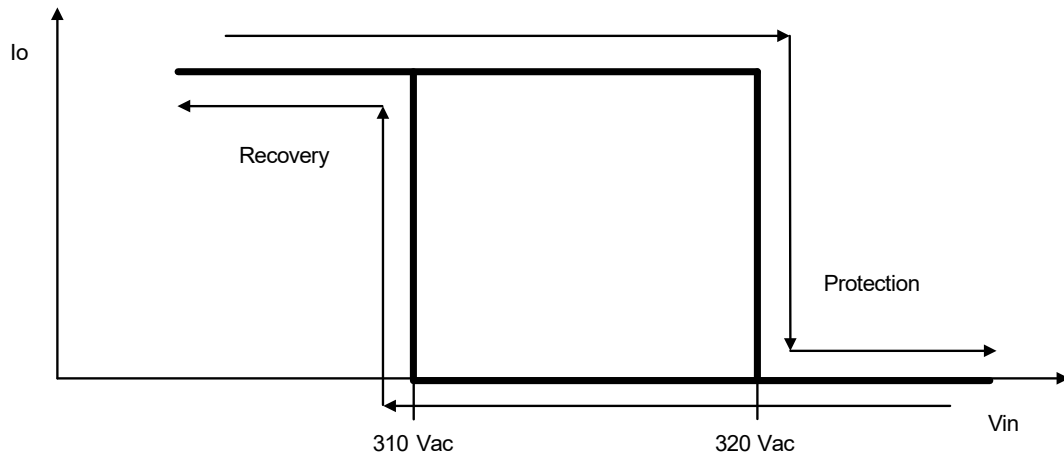
Parameter		Min.	Typ.	Max.	Notes
External Thermal Protection	R1 (Start derating)	-	1.67 kΩ	-	The output current starts to decrease linearly when the actual NTC resistance value is lower than R1, until R2 is reached.
	R2 (Stop derating)	-	1.27 kΩ	-	When the actual NTC resistance value is lower than R2, the output current will stay at the programmed Protection Current Floor.
	Protection Current Setting Range	10%loset	20%loset	100%loset	10%loset > I _{omin} (default setting is 20%)
I _{omin}		20%loset	100%loset	10%loset ≤ I _{omin} (default setting is 20%)	
Over Temperature Protection		Decreases output current, returning to normal after over temperature is removed.			
Short Circuit Protection		Auto Recovery. No damage will occur when any output is short circuited. The output shall return to normal when the fault condition is removed.			
Over Voltage Protection		Limits output voltage at no load and in case the normal voltage limit fails.			
Input Under Voltage Protection (IUVP)	Input Under Voltage Protection	70 Vac	80 Vac	90 Vac	Turn off the output when the input voltage falls below protection voltage.
	Input Under Voltage Recovery	75 Vac	85 Vac	95 Vac	Auto Recovery. The driver will restart when the input voltage exceeds recovery voltage.
Input Over Voltage Protection	Input Over Voltage Protection	310 Vac	320 Vac	330 Vac	Turn off the output when the input voltage exceeds protection voltage.
	Input Over Voltage Recovery	300 Vac	310 Vac	320 Vac	Auto Recovery. The driver will restart when the input voltage falls below recovery voltage.
	Max. of Input Over Voltage	-	-	350 Vac	The driver can survive stabilized input over voltage conditions up to 350Vac for a total of 8 hours.

Note: (1) The recommended NTC type is 10kΩ NTC, Murata NCP18XH103J03RB.

● Input Under Voltage Protection Diagram



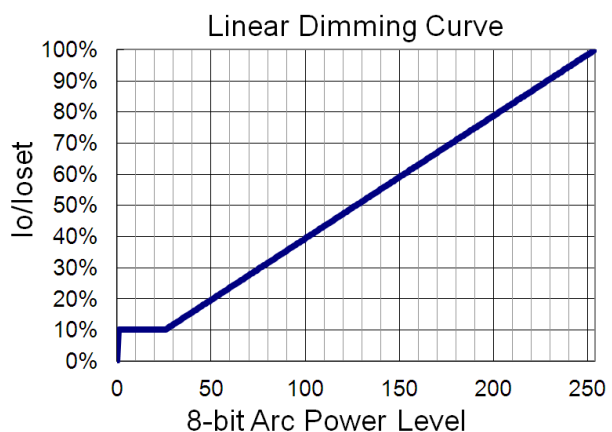
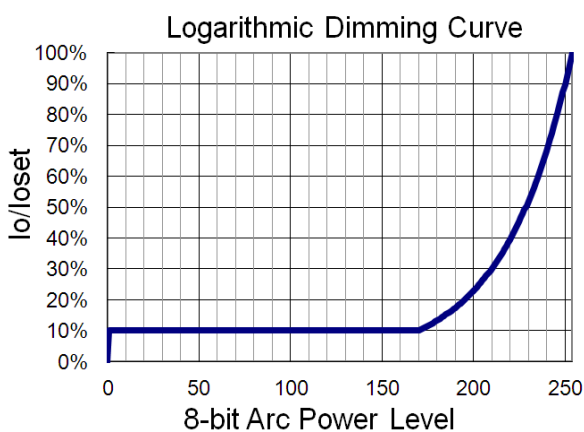
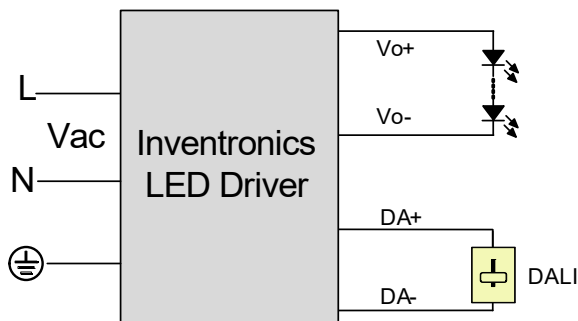
● Input Over Voltage Protection Diagram



Dimming

● DALI-2 Dimming

The recommended implementation of the dimming control is provided below.



Implementation: DALI-2 Dimming

● Time Dimming

Time dimming control includes 3 kinds of modes, they are Self Adapting-Midnight, Self Adapting-Percentage and Traditional Timer.

- **Self Adapting-Midnight:** Automatically adjusts the dimming curve based on the on-time of past two days (if difference <15 minutes), assuming that the center point of the dimming curve is midnight local time.
- **Self Adapting-Percentage:** Automatically adjusts the on-time of each step by a constant percentage = (actual on-time for the past 2 days if difference <15 min) / (programmed on-time from the dimming curve).
- **Traditional Timer:** Follows the programmed timing curve after power on with no changes.

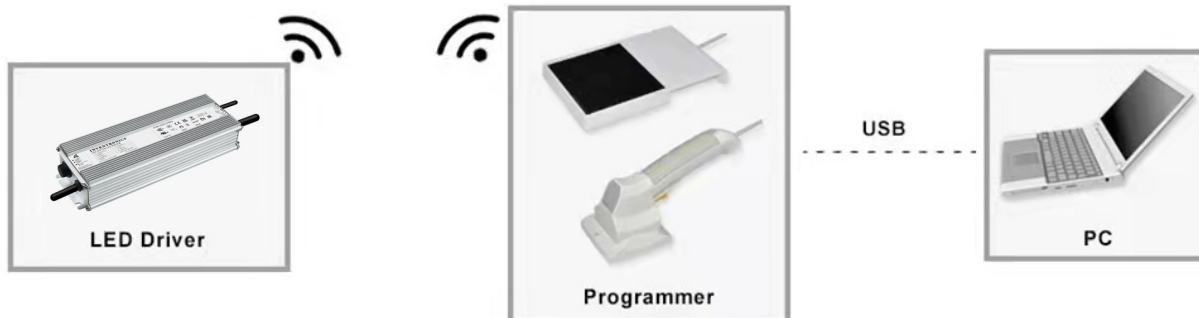
● Output Lumen Compensation

Output Lumen Compensation (OLC) may be used to maintain constant light output over the life of the LEDs by driving them at a reduced current when new, then gradually increasing the drive current over time to counteract LED lumen degradation.

● End Of Life

End-of-Life (EOL) is providing a visual notification to a user that the LED module has reached the end of manufacturer-specified life and that the replacement is recommended. Once active, an indication is given at each power-up of the driver, which the driver indicates this through a lower light output during the first 1 minute before normal operation is continued.

Programming Connection Diagram



Note: The driver does not need to be powered on during the programming process.

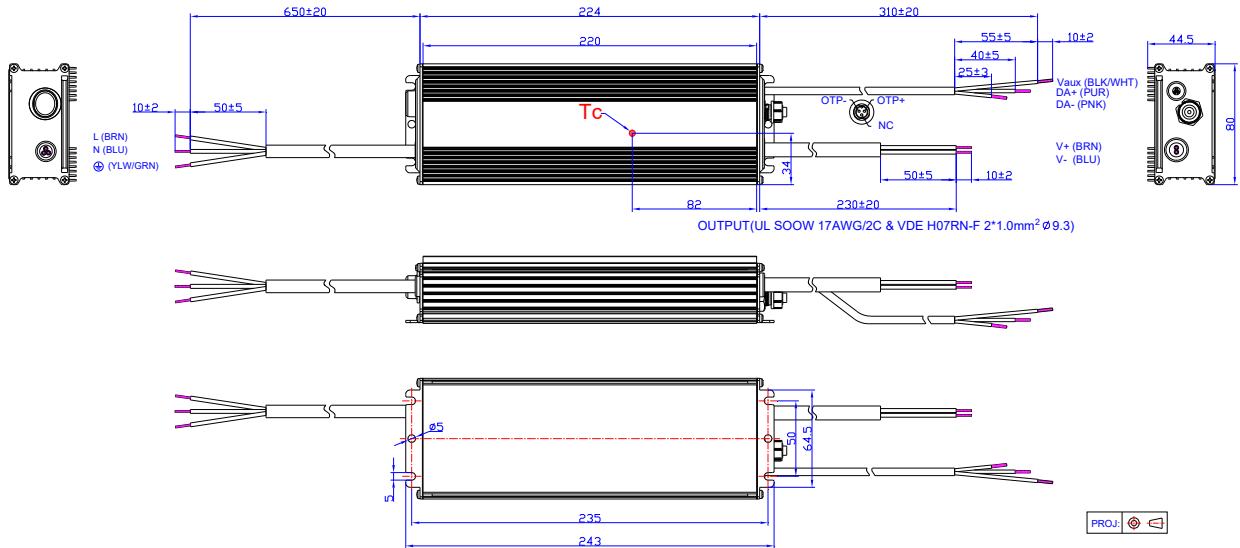
- Please refer to [PRG-NFC-H](#) or [PRG-NFC-D2](#) (Programmer) datasheet for details.

Mechanical Outline

EUM-320S105BG/EUM-320S150BG

INPUT(UL SJOW 17AWG/3C & VDE H05RN-F 3*1.0mm² Ø 8.3)

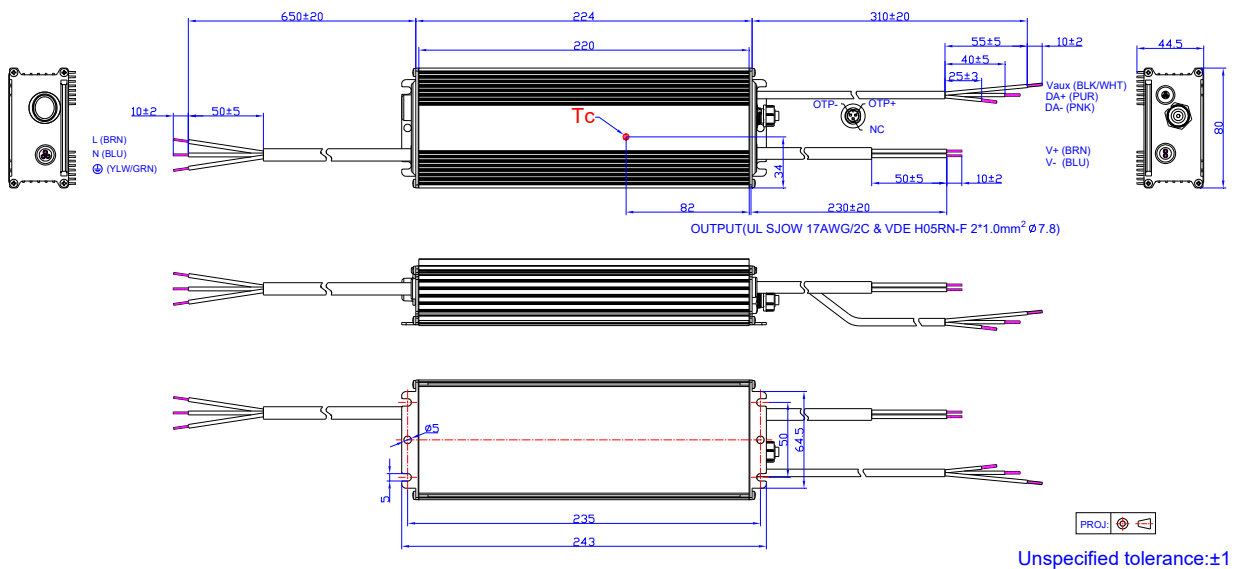
DIMMING(UL21996 22AWG/3C Ø 5.0)



EUM-320S250BG/EUM-320S500BG/EUM-320S760BG

INPUT(UL SJOW 17AWG/3C & VDE H05RN-F 3*1.0mm² Ø 8.3)

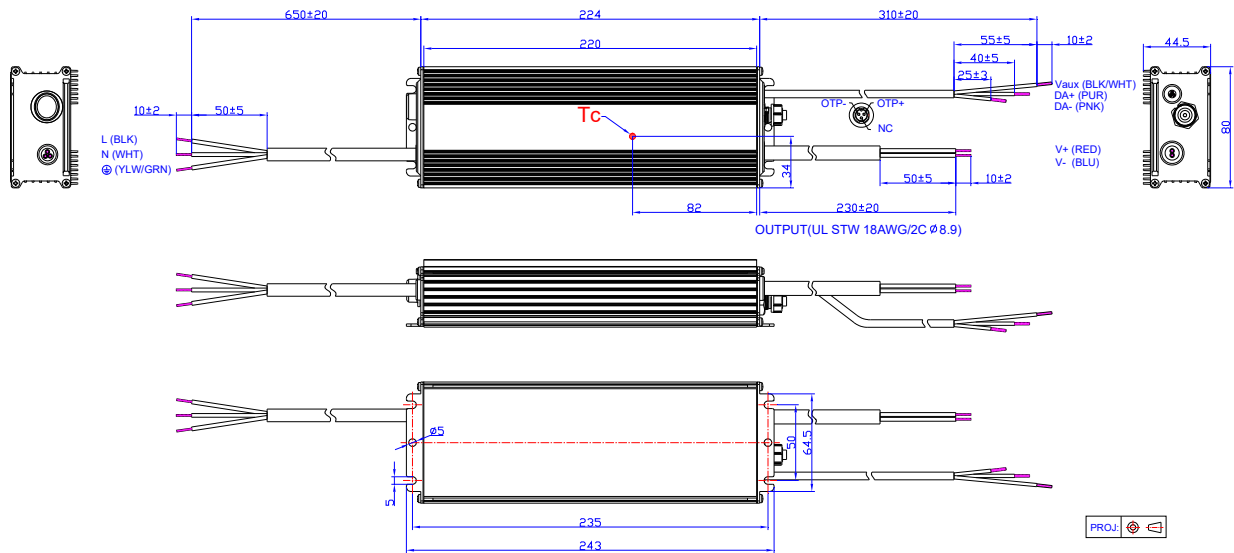
DIMMING(UL21996 22AWG/3C Ø 5.0)



EUM-320S105BT/EUM-320S150BT

INPUT(UL SJTW 18AWG/3C ϕ 7.8)

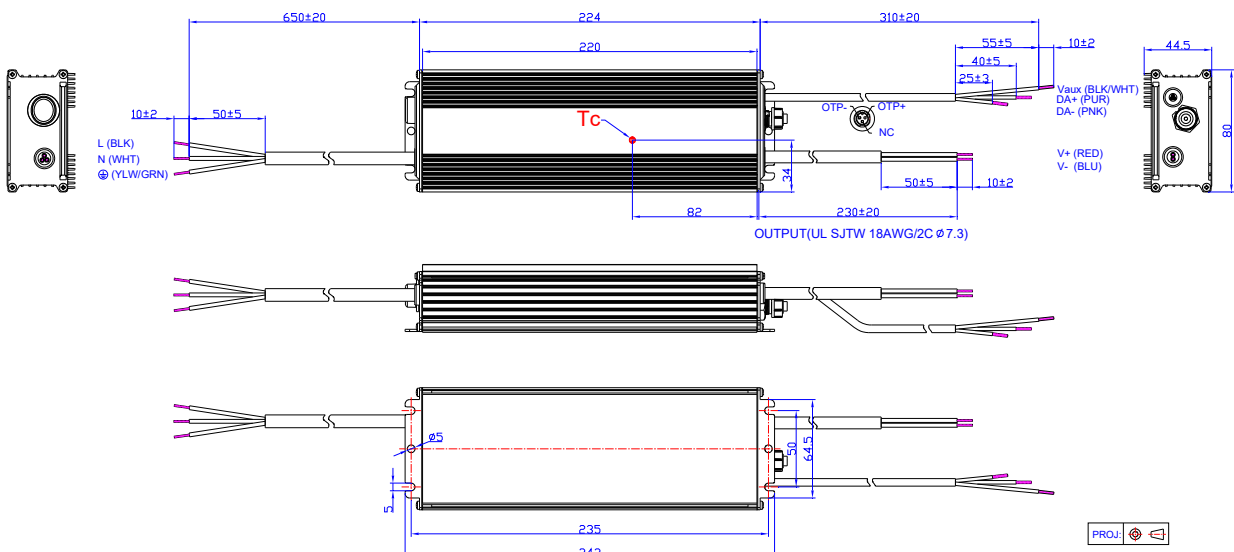
DIMMING(UL21996 22AWG/3C ϕ 5.0)



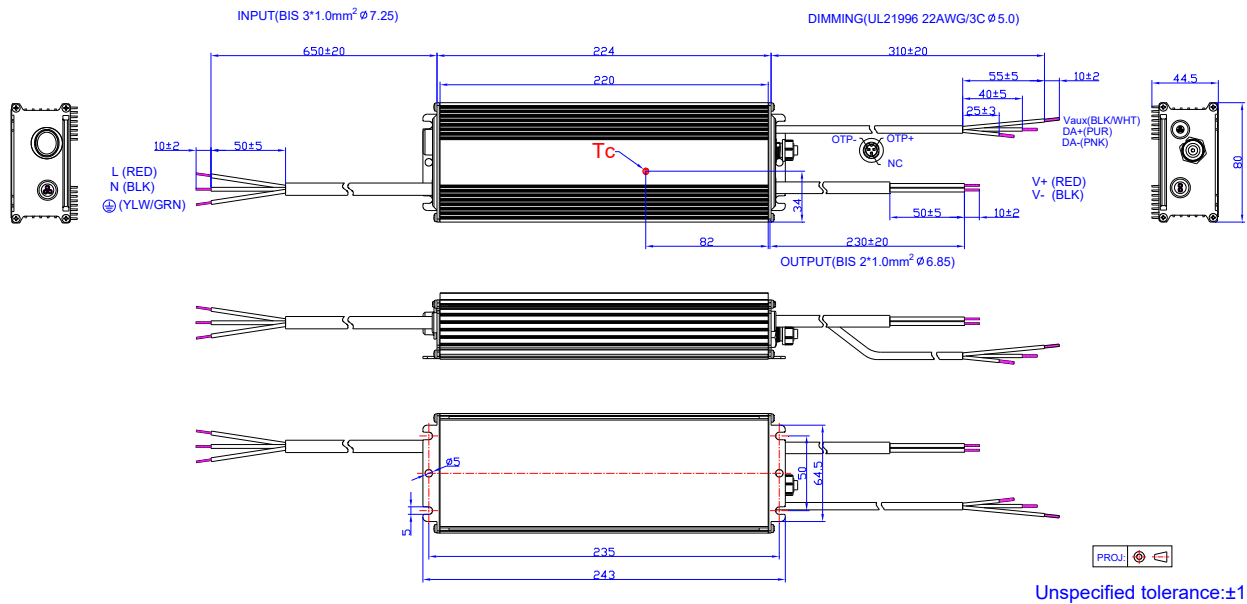
EUM-320S250BT/EUM-320S500BT/EUM-320S760BT

INPUT(UL SJTW 18AWG/3C ϕ 7.8)

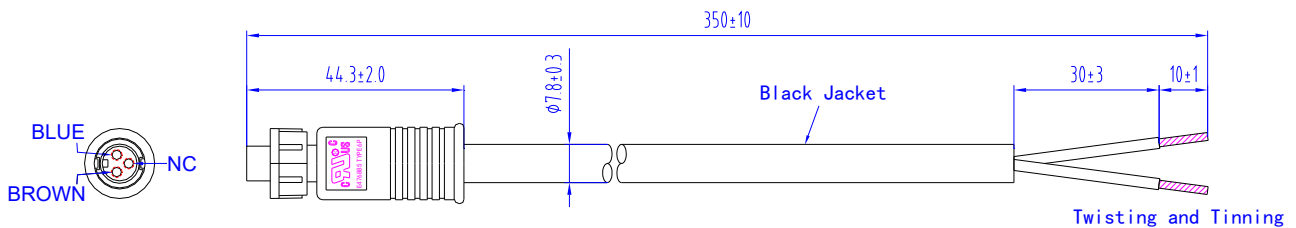
DIMMING(UL21996 22AWG/3C ϕ 5.0)



EUM-320SxxxBB



Optional Cable Parts CAB-OTPG



- The external thermal protection cable used for the EUM series drivers can be supplied by Inventronics, please contact the sales for ordering if necessary. For the details of cable, please refer to [CAB-OTPG \(Cable\) datasheet](#).

RoHS Compliance

Our products comply with reference to RoHS Directive (EU) 2015/863 amending 2011/65/EU, calling for the elimination of lead and other hazardous substances from electronic products.

Revision History

Change Date	Rev.	Description of Change		
		Item	From	To
2021-09-10	A	Datasheets Release	/	/
2022-02-18	B	UKCA logo	/	Added
		global-mark logo	/	Updated
		Safety & EMC Compliance	/	Updated
		Mechanical Outline	/	Updated
2023-07-06	C	Product Photograph	/	Updated
		Output Specifications	/	Updated
		Safety & EMC Compliance	/	Updated
		Dimming	/	Updated
		Programming Connection Diagram	/	Updated
		Mechanical Outline	/	Updated